



US006998577B2

(12) **United States Patent**
Chou et al.

(10) **Patent No.:** **US 6,998,577 B2**
(45) **Date of Patent:** **Feb. 14, 2006**

(54) **TABLE-TOP ELECTRIC HEAT SEALER**

(75) Inventors: **Shu Hui Chou**, Taipei Hsien (TW);
Richard Chang, Taipei Hsien (TW)

(73) Assignee: **Welcome Co., Ltd.**, Hsi Chih (TW)

(*) Notice: Subject to any disclaimer, the term of this patent is extended or adjusted under 35 U.S.C. 154(b) by 0 days.

(51) **Int. Cl.**
H05B 1/00 (2006.01)

(52) **U.S. Cl.** **219/243**; 219/227; 219/233;
156/229

(58) **Field of Classification Search** 219/243,
219/227, 201, 221, 229, 233, 240, 241, 524,
219/535, 544; 156/229, 359, 515, 579, 583.2,
156/583.4, 308.4, 538.8, 538.9, 379.6, 499,
21/94.01; 206/459.5; 248/251, 220, 220.42,
248/220.43, 481

See application file for complete search history.

(21) Appl. No.: **10/888,200**

(22) Filed: **Jul. 9, 2004**

(56) **References Cited**

U.S. PATENT DOCUMENTS

3,867,226 A * 2/1975 Guido et al. 156/229
5,857,577 A * 1/1999 Thomas et al. 211/94.01
6,058,998 A * 5/2000 Kristen 156/359

* cited by examiner

Primary Examiner—Quang Van

(74) *Attorney, Agent, or Firm*—Jeffer, Mangels, Butler & Marmaro LLP

(65) **Prior Publication Data**

US 2005/0067398 A1 Mar. 31, 2005

Related U.S. Application Data

(60) Division of application No. 10/072,293, filed on Feb. 6, 2002, now Pat. No. 6,770,849, which is a continuation-in-part of application No. 09/495,999, filed on Feb. 1, 2000, now Pat. No. 6,335,515, and a continuation-in-part of application No. 09/208,256, filed on Dec. 9, 1998, now Pat. No. 6,326,594, which is a continuation-in-part of application No. 09/189,359, filed on Nov. 9, 1998, now Pat. No. 6,232,579, which is a continuation-in-part of application No. 08/917,358, filed on Aug. 26, 1997, now Pat. No. 5,854,466.

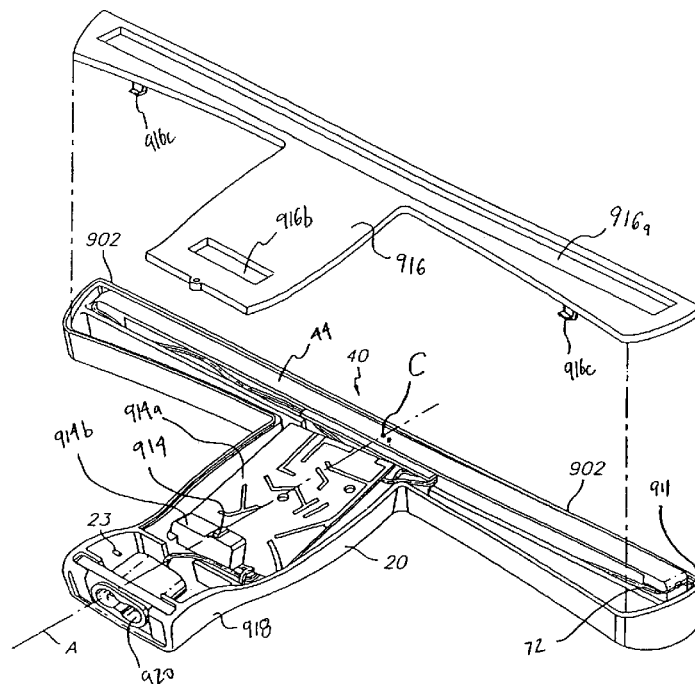
(57) **ABSTRACT**

An electric heat sealer including a casing having a first pair of extensions extending outwardly therefrom, a press bar pivotally connected to said casing, the press bar having a second pair of extensions extending outwardly therefrom, at least one sealing mechanism mounted in the press bar or the casing and a source of current for energizing the heating wire. The press bar is normally biased above the casing and the at least one sealing mechanism includes a heating wire.

(30) **Foreign Application Priority Data**

Oct. 11, 1997 (TW) 86218879 U

18 Claims, 19 Drawing Sheets



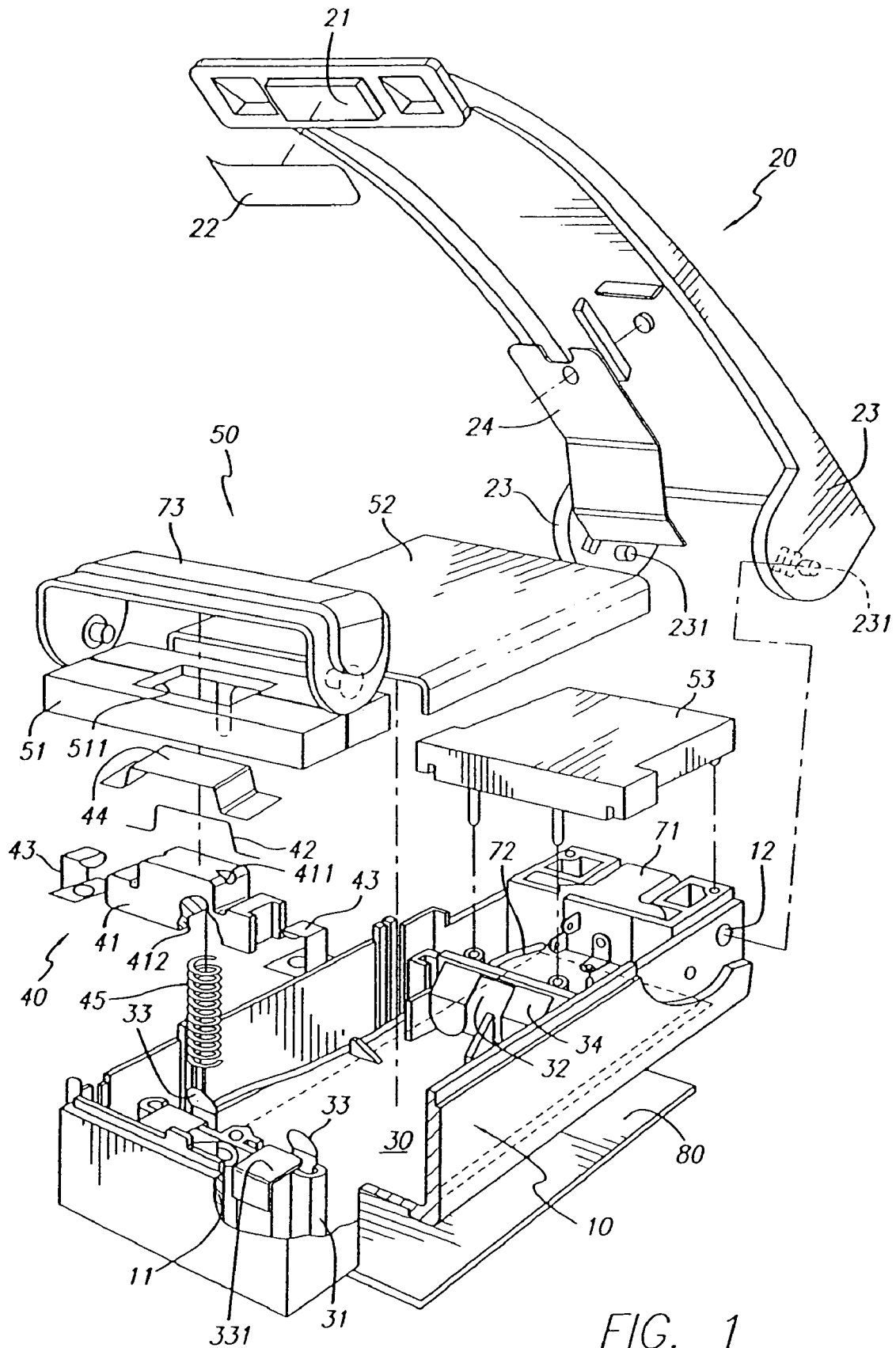


FIG. 1

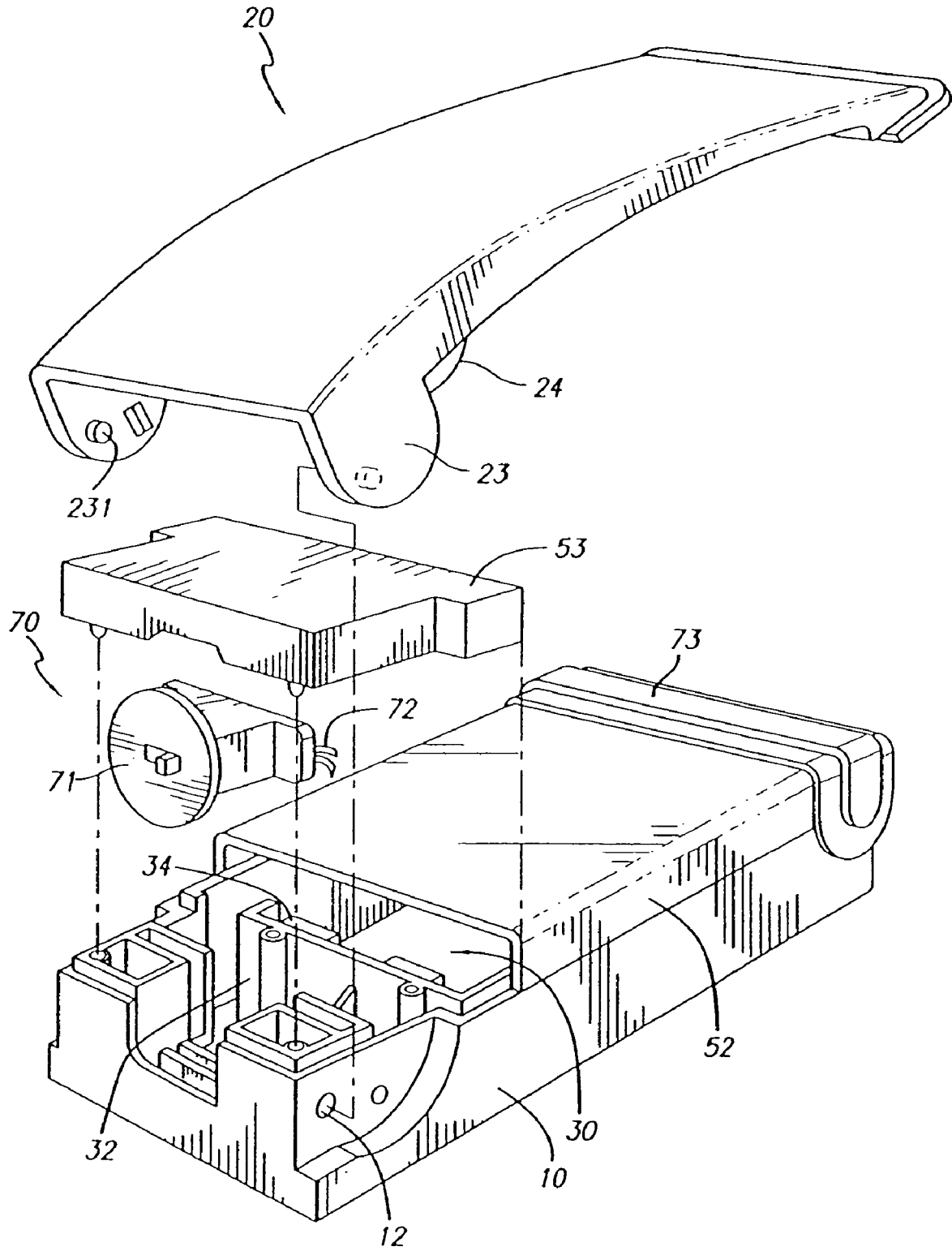


FIG. 2

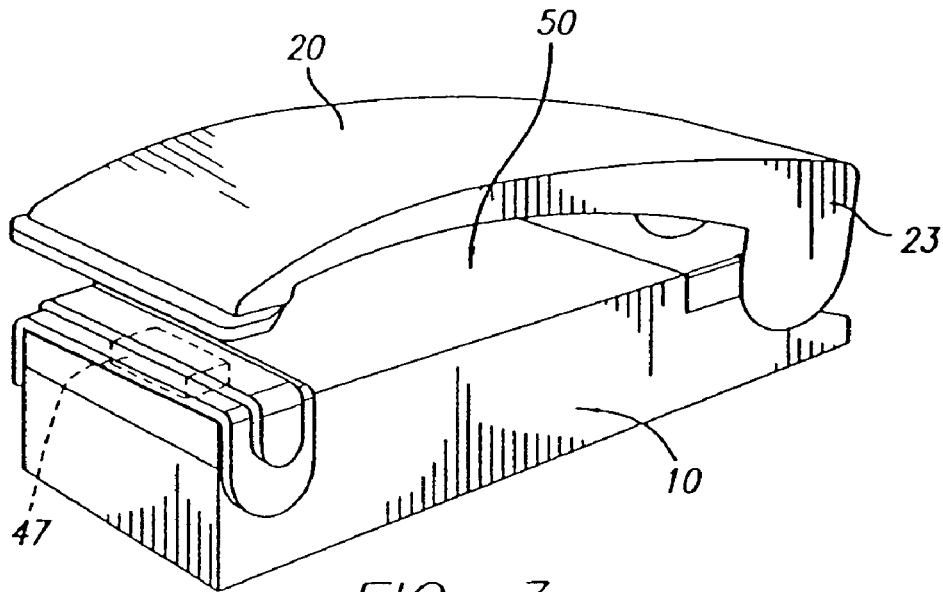


FIG. 3

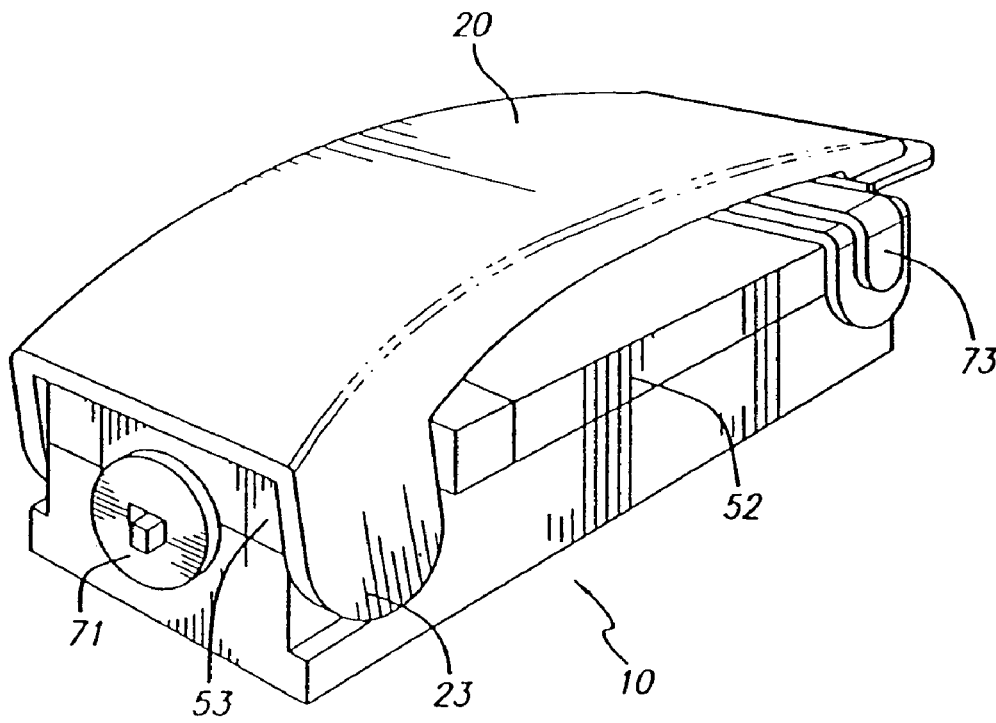


FIG. 4

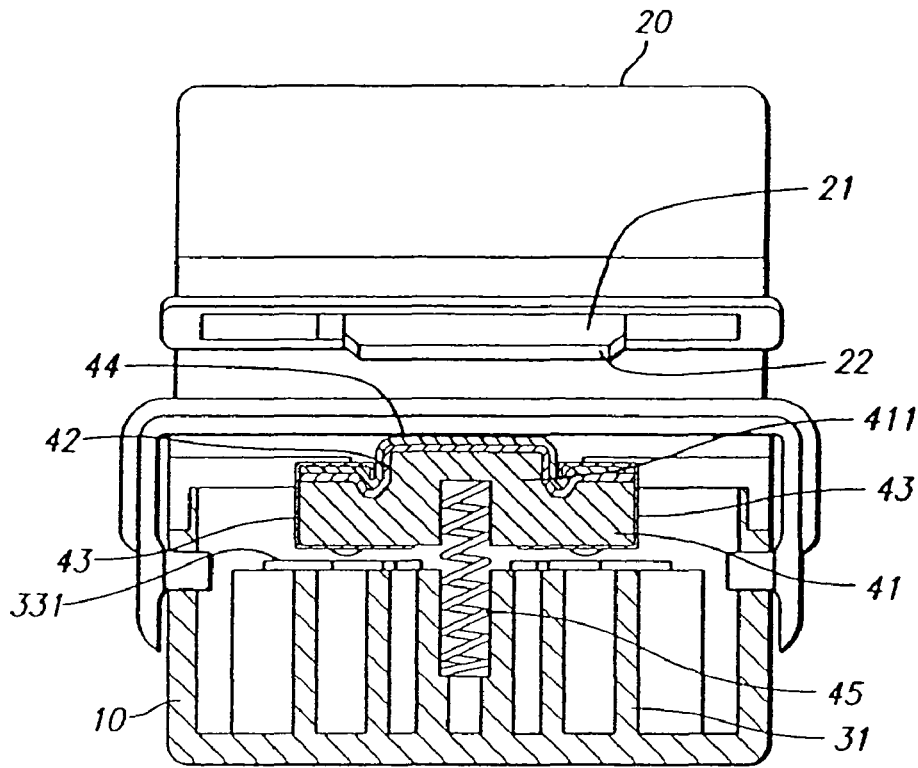


FIG. 5

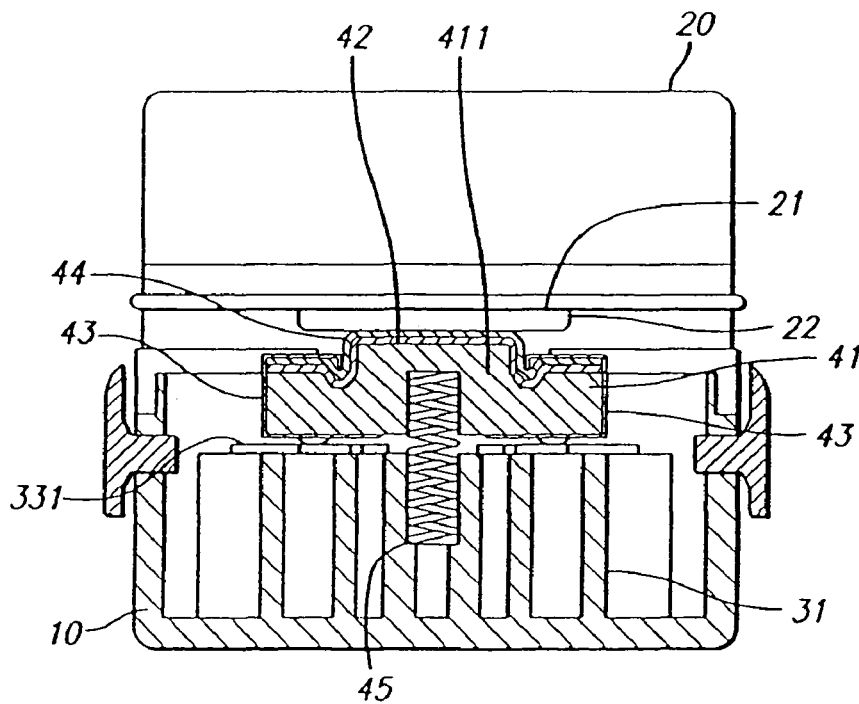
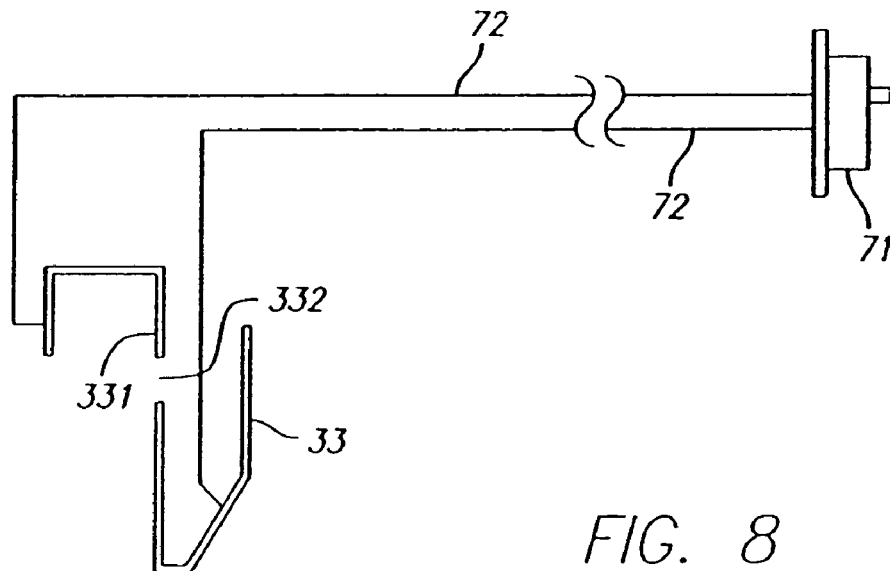
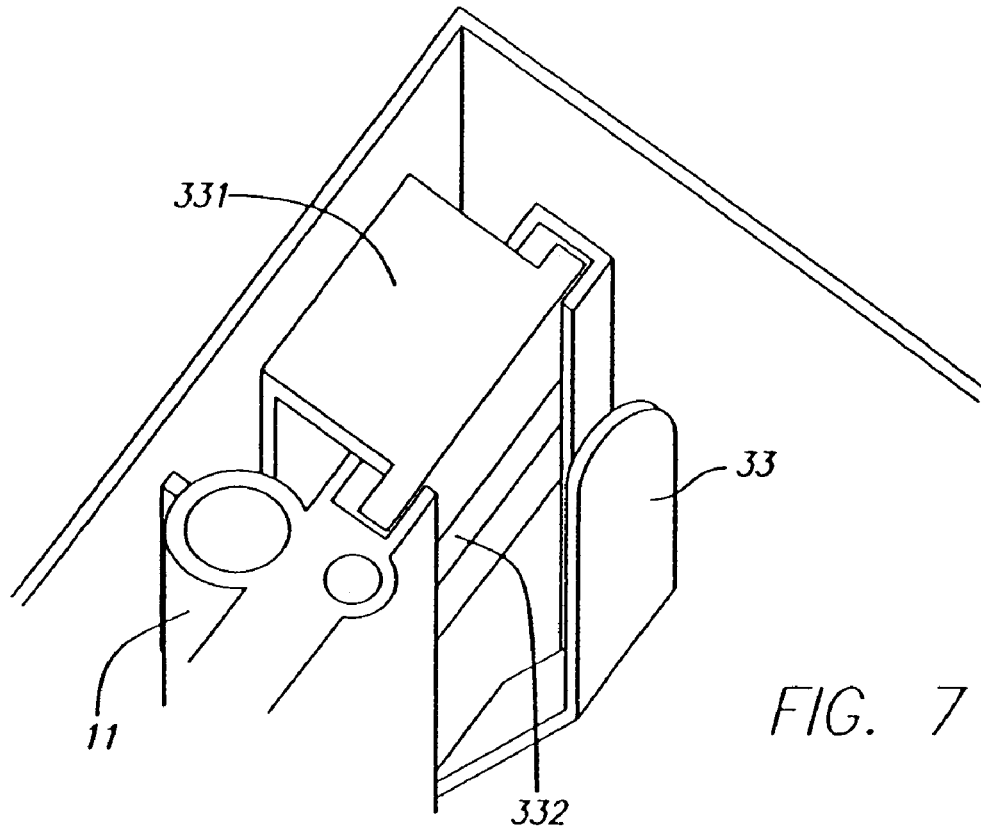


FIG. 6



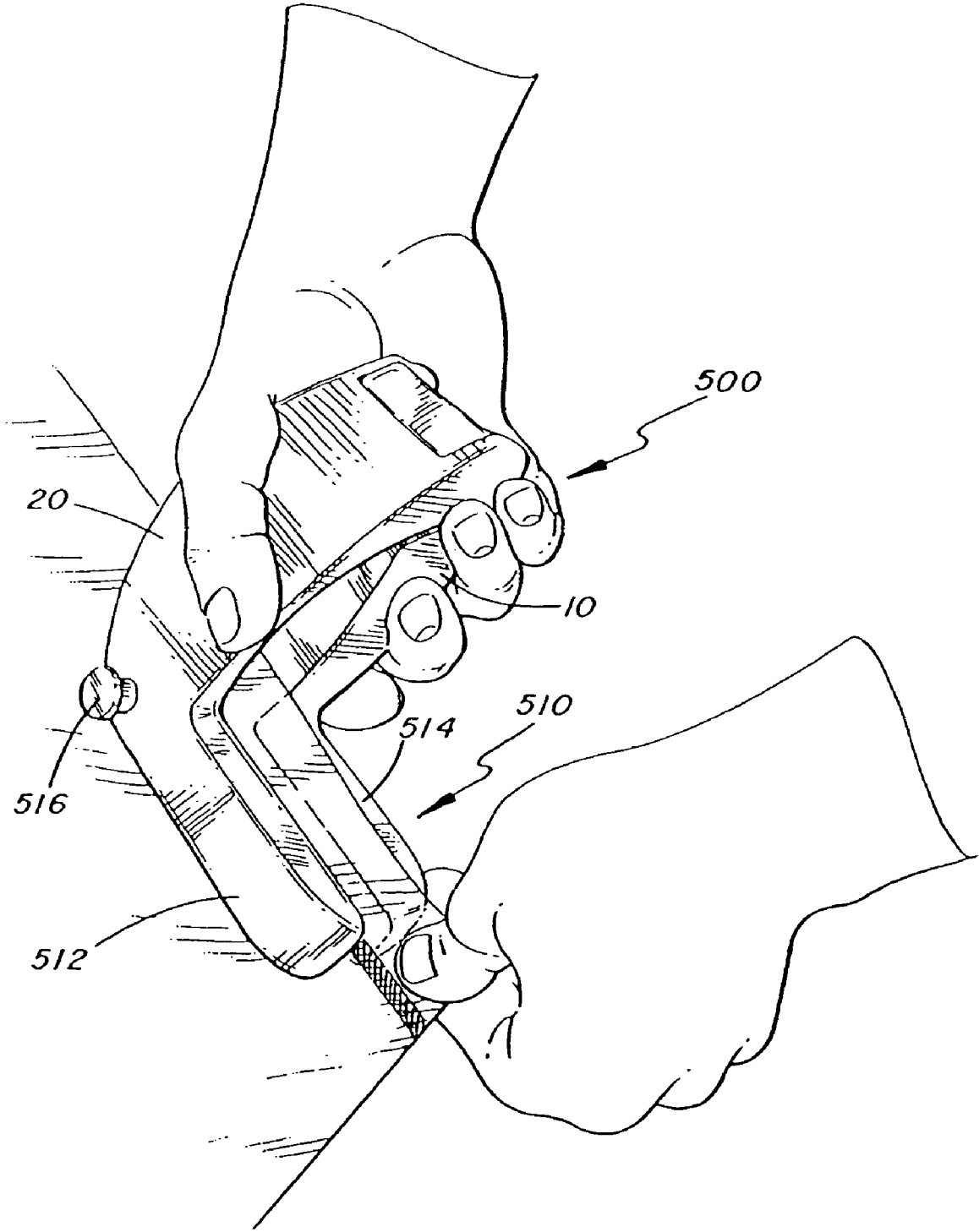
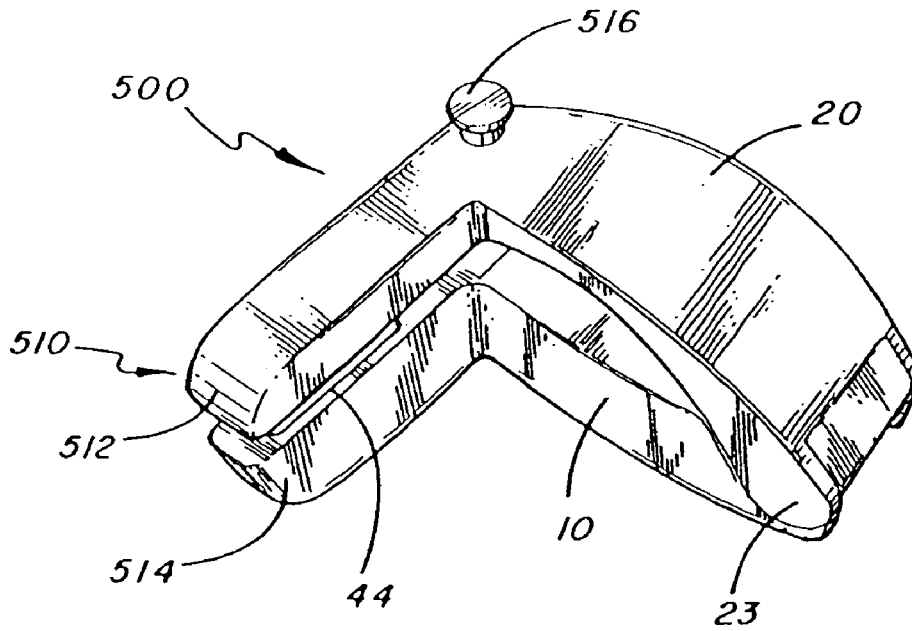
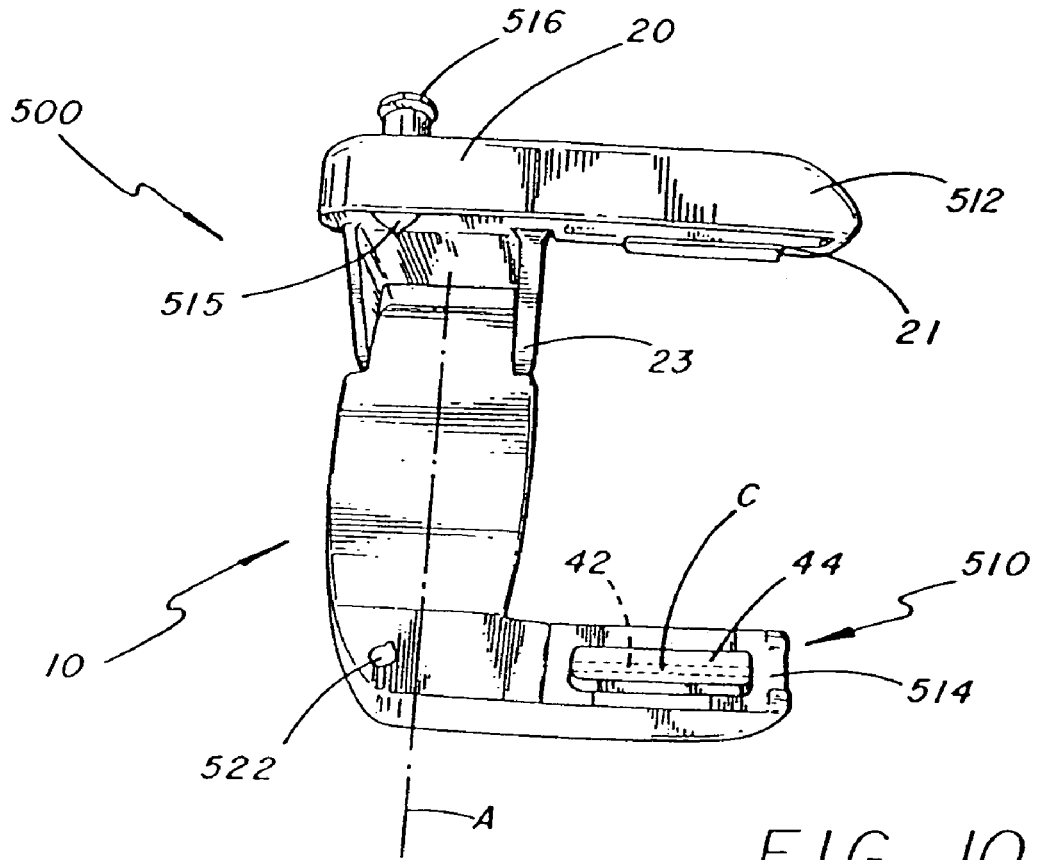


FIG. 9



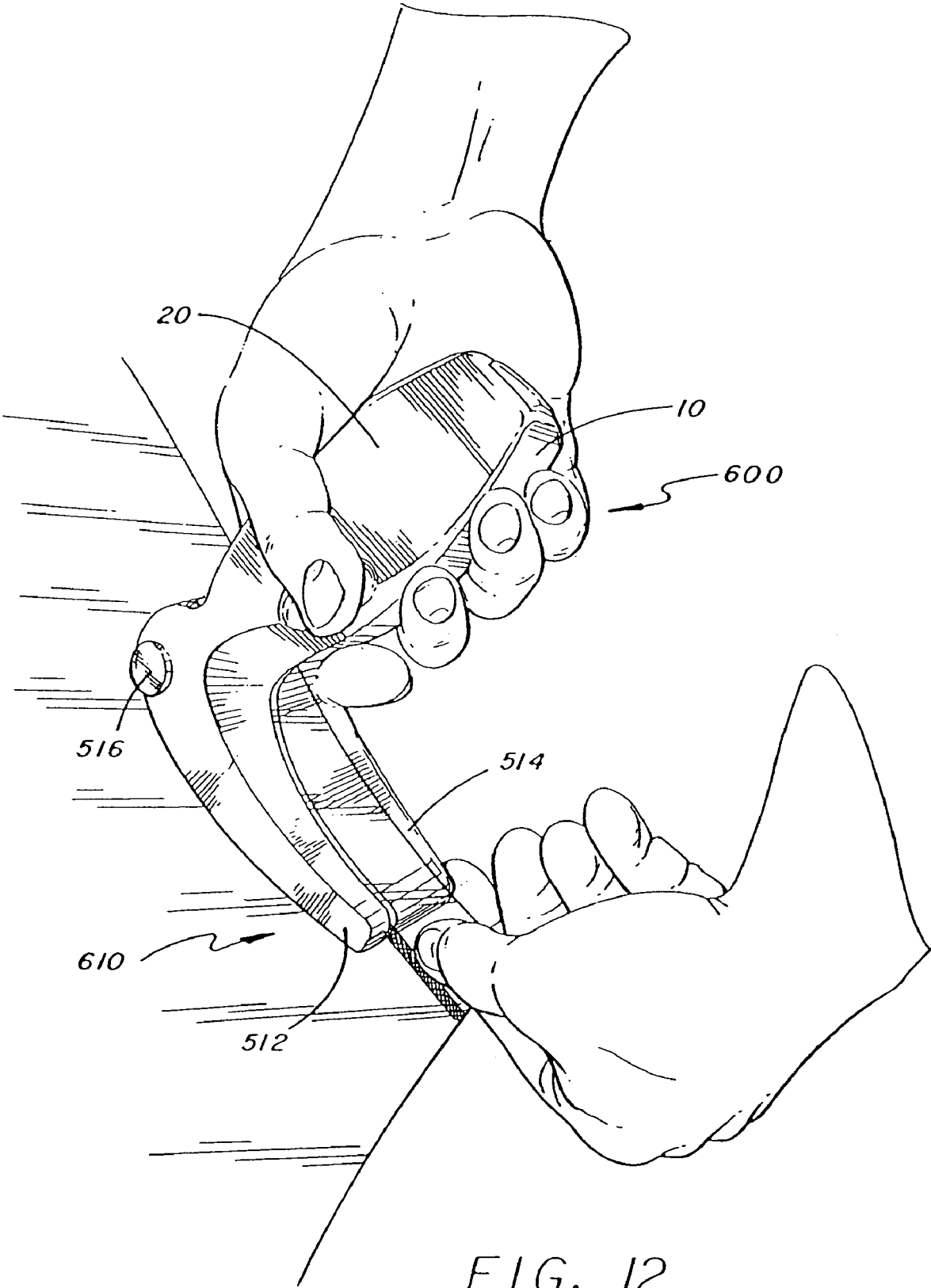
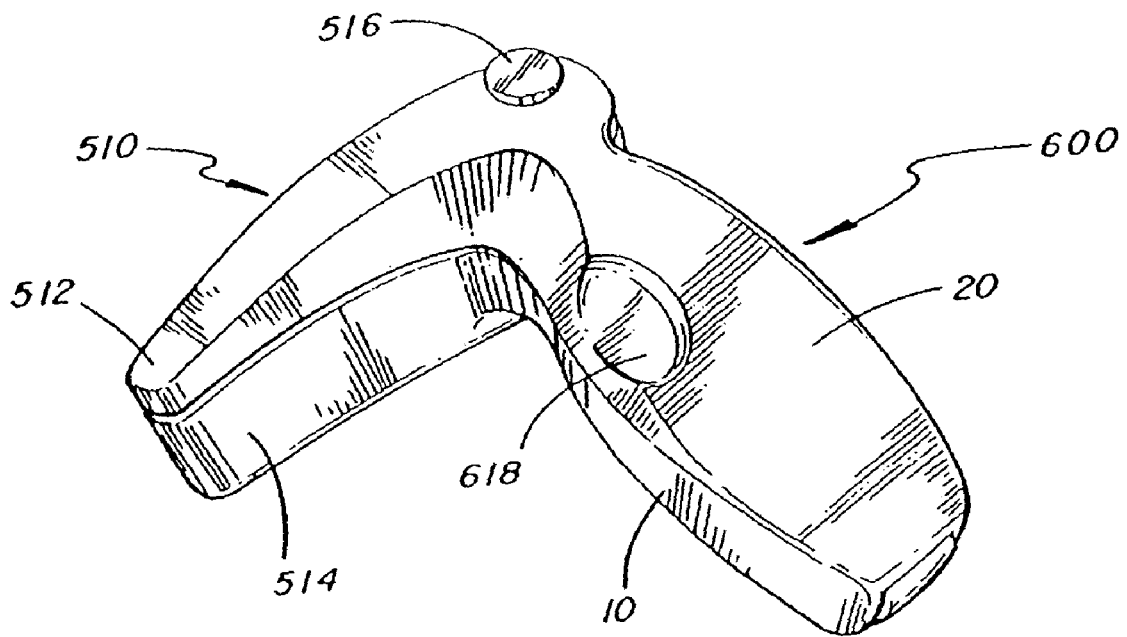
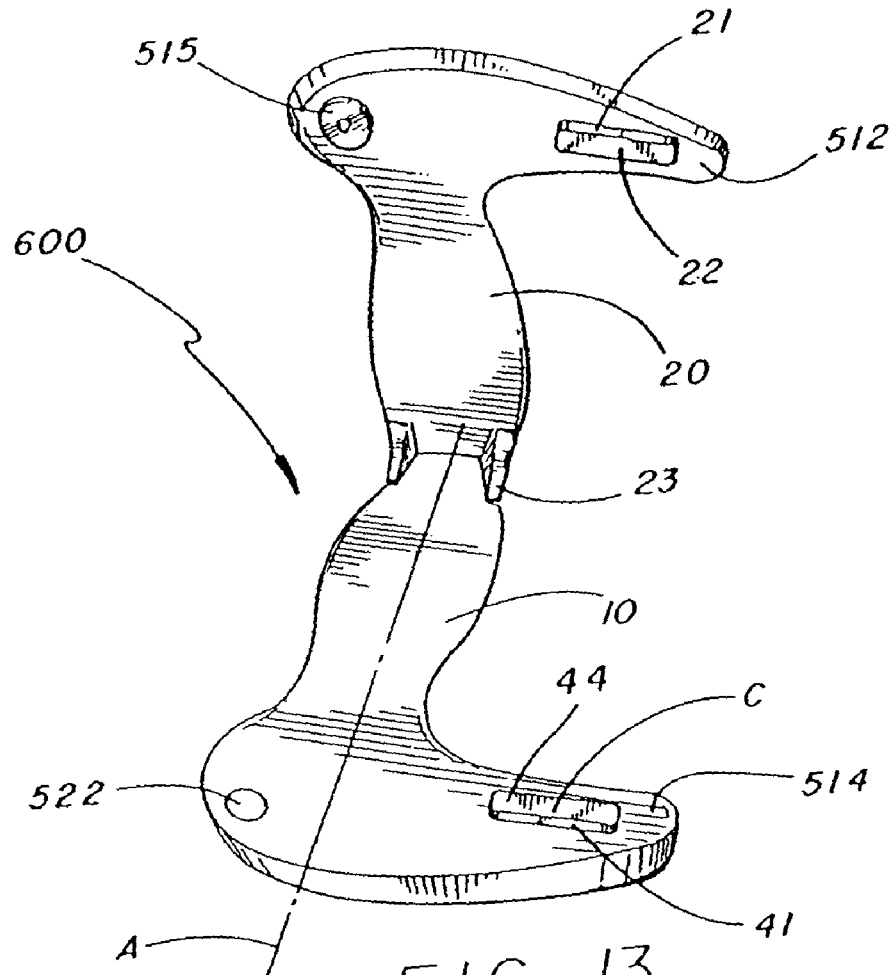


FIG. 12



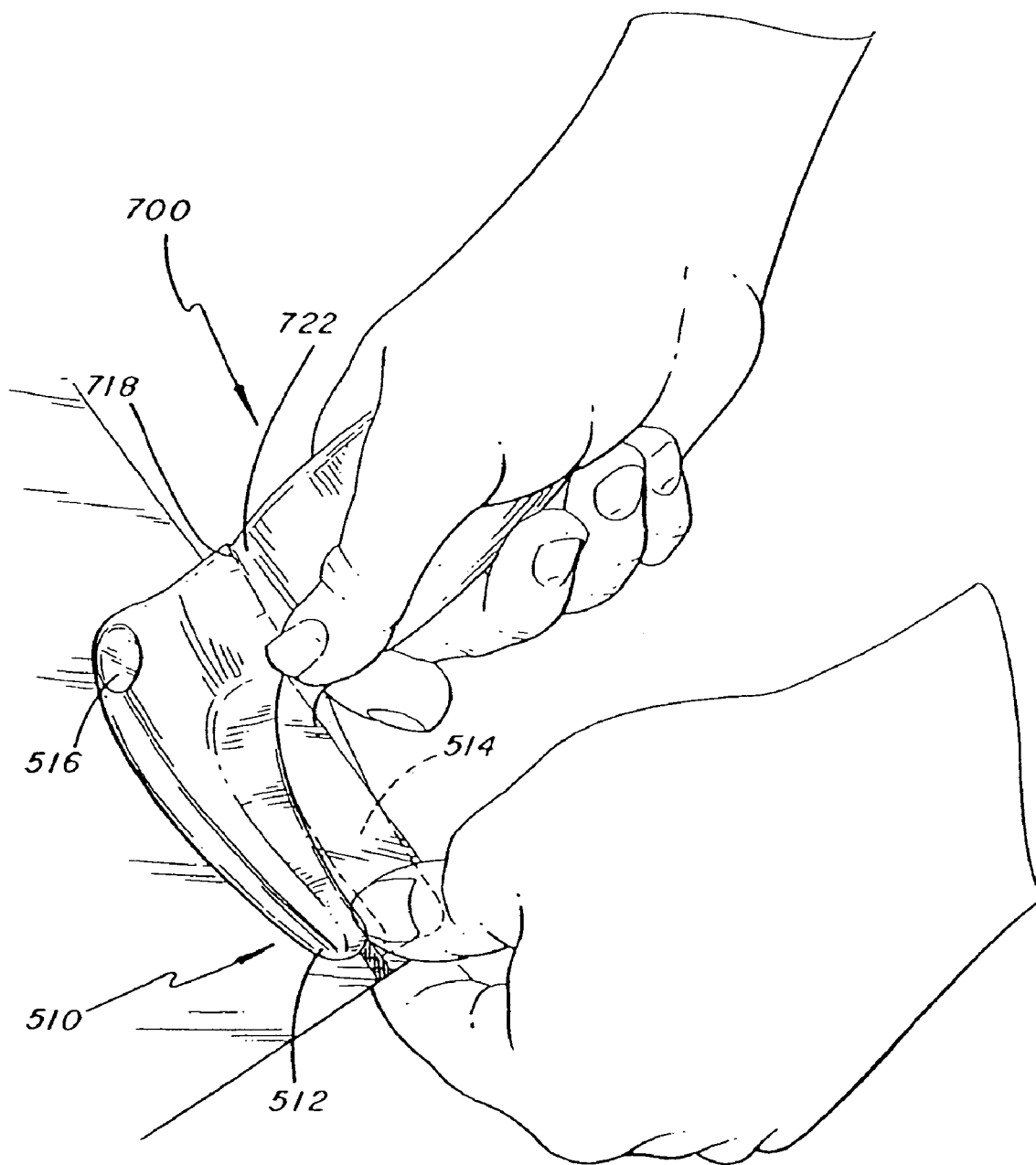
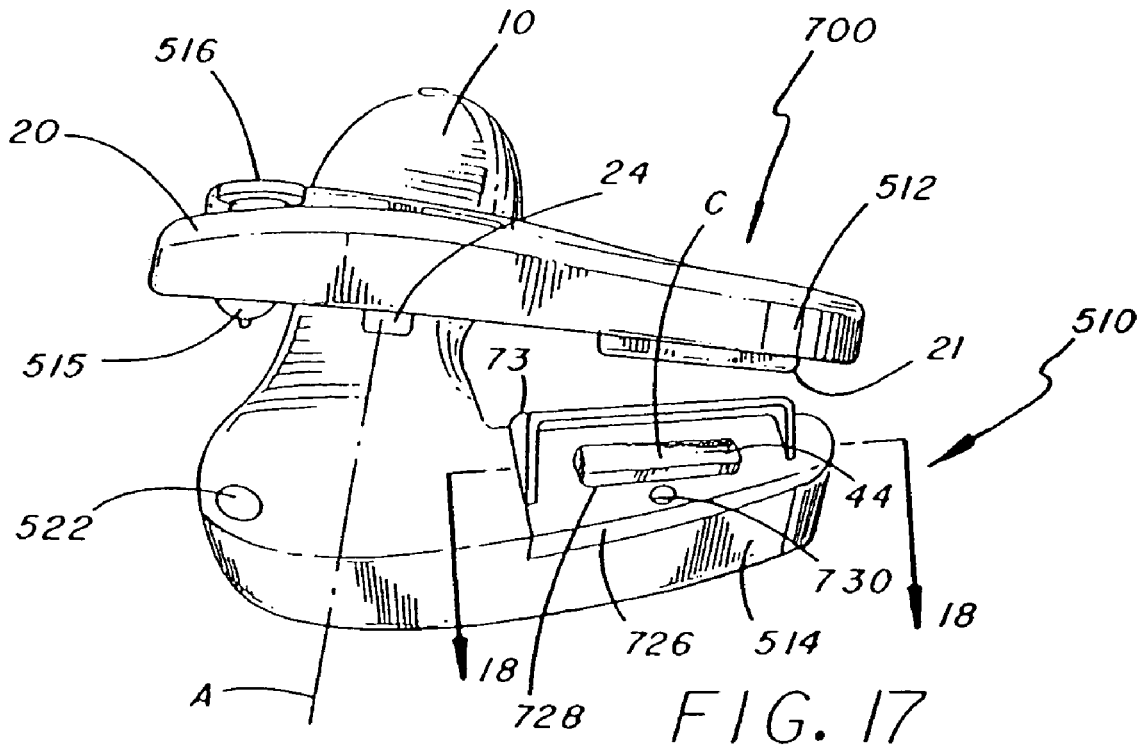
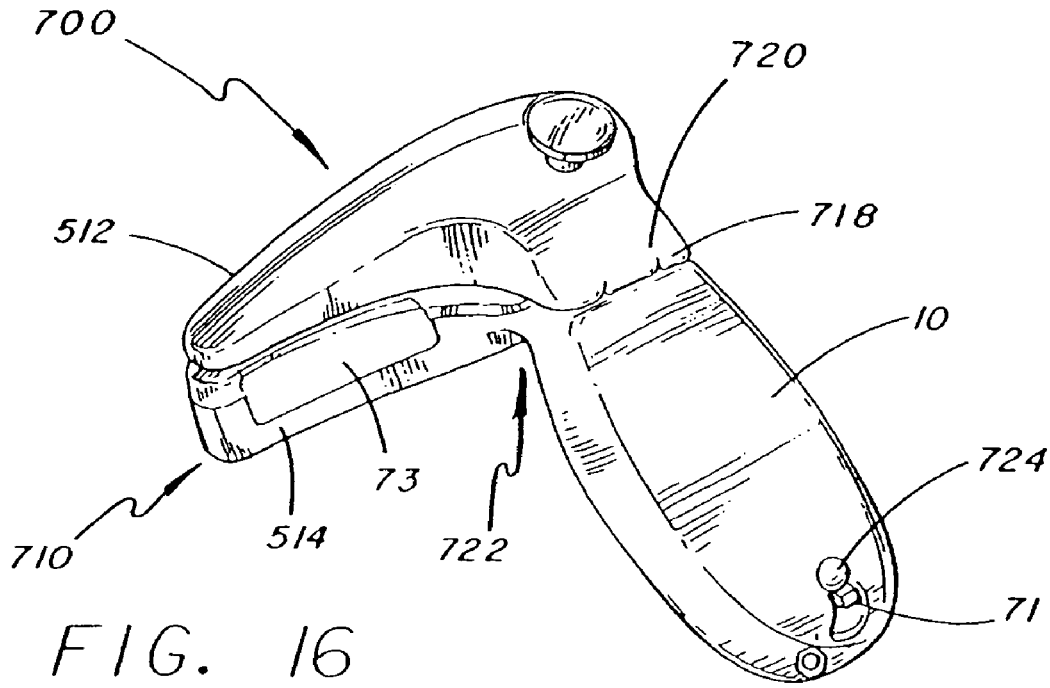


FIG. 15



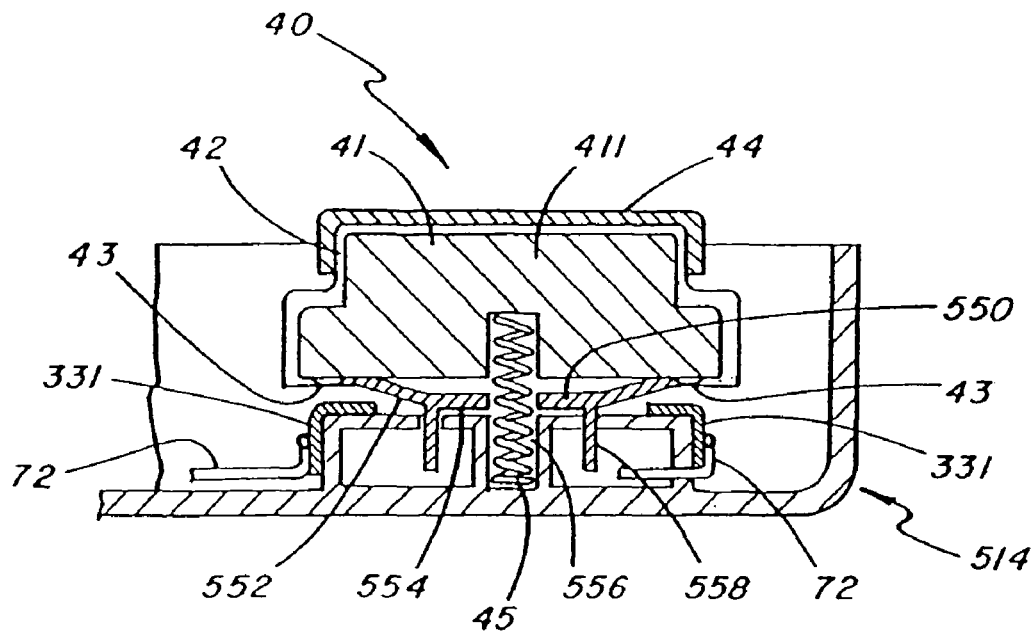


FIG. 18

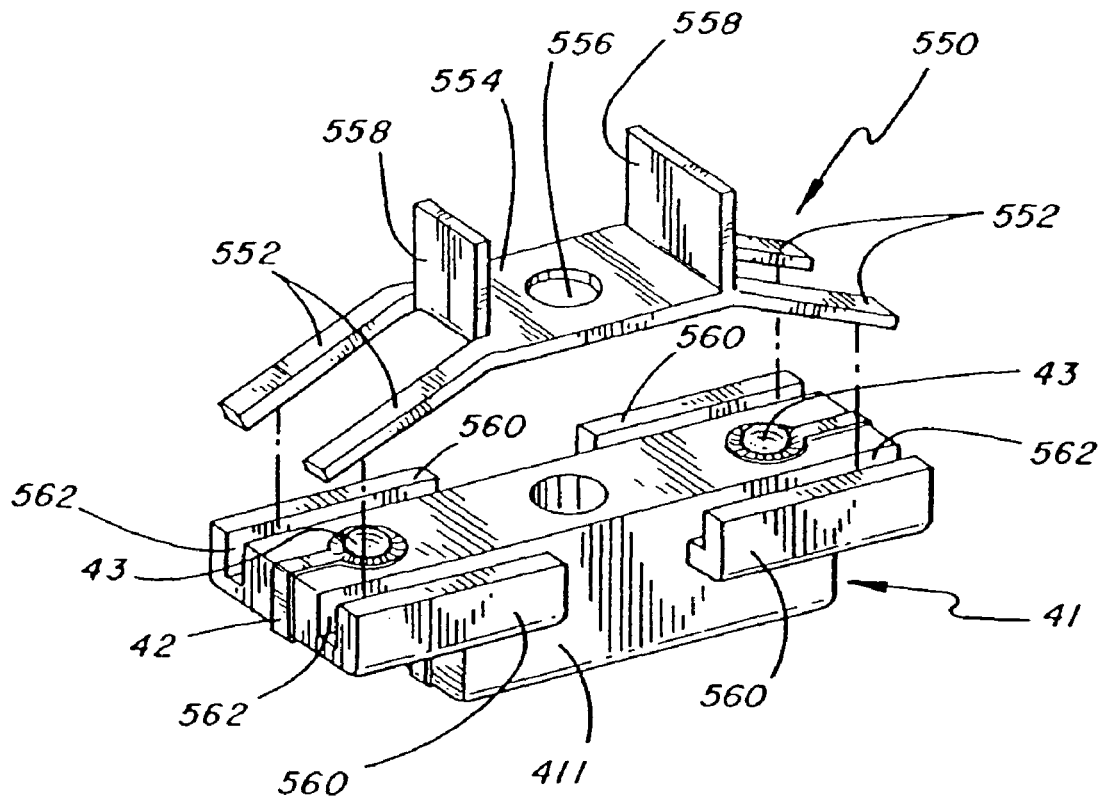


FIG. 19

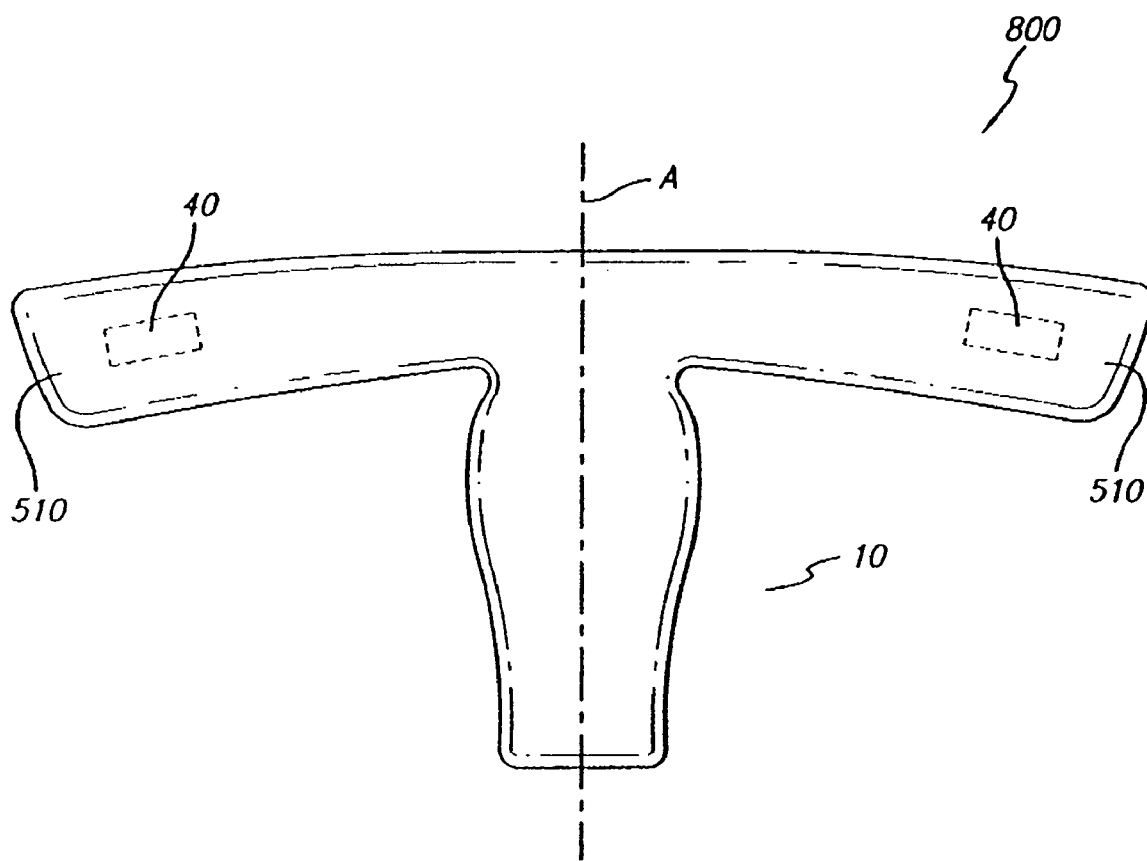
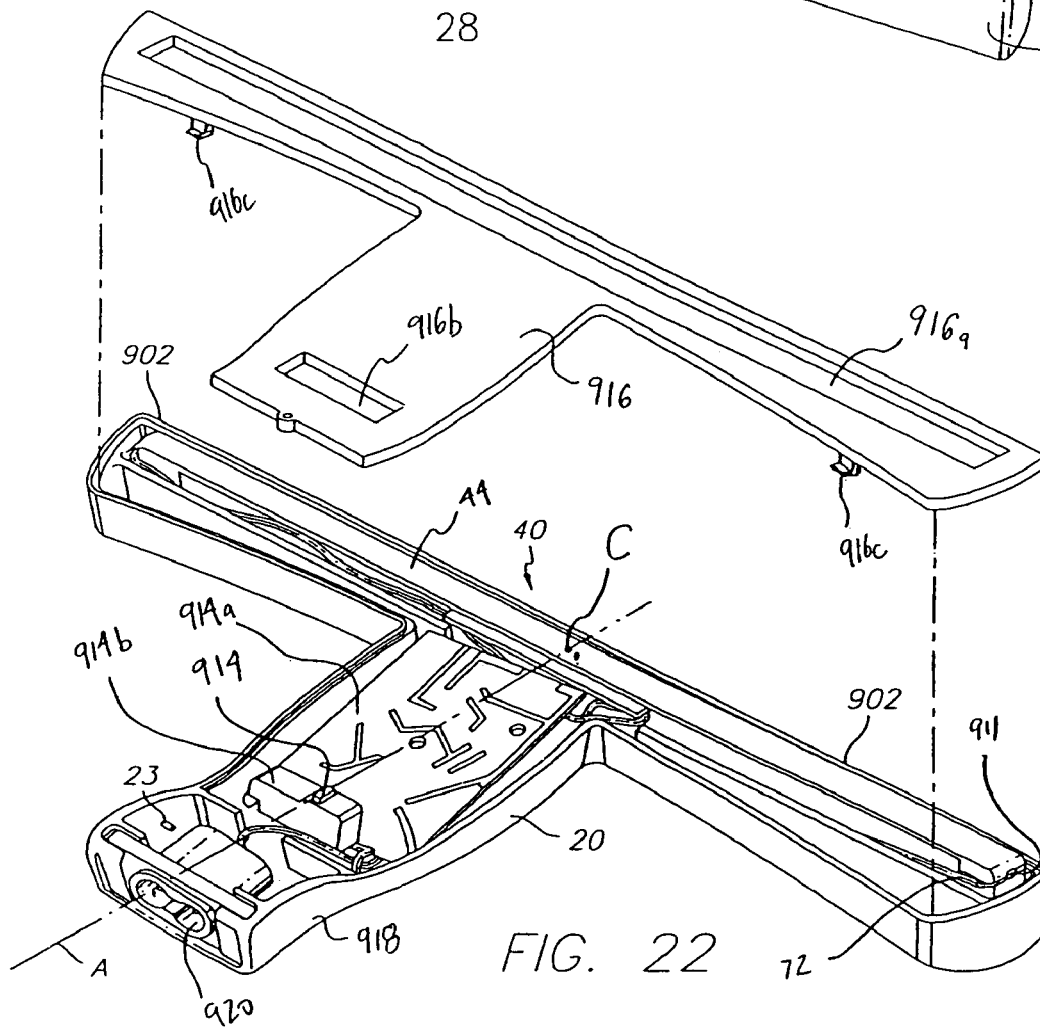
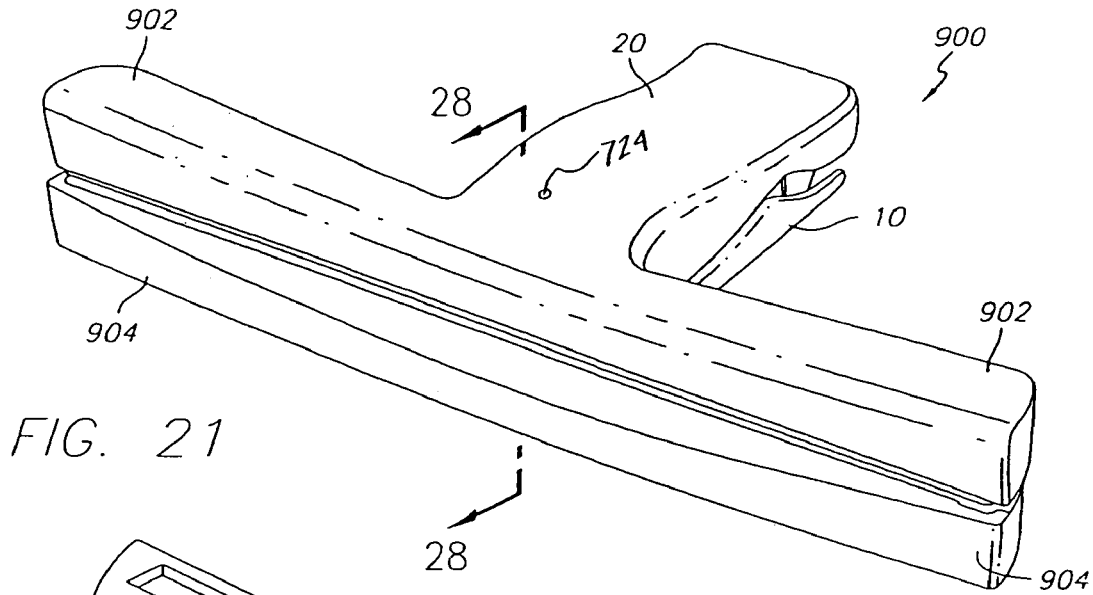


FIG. 20



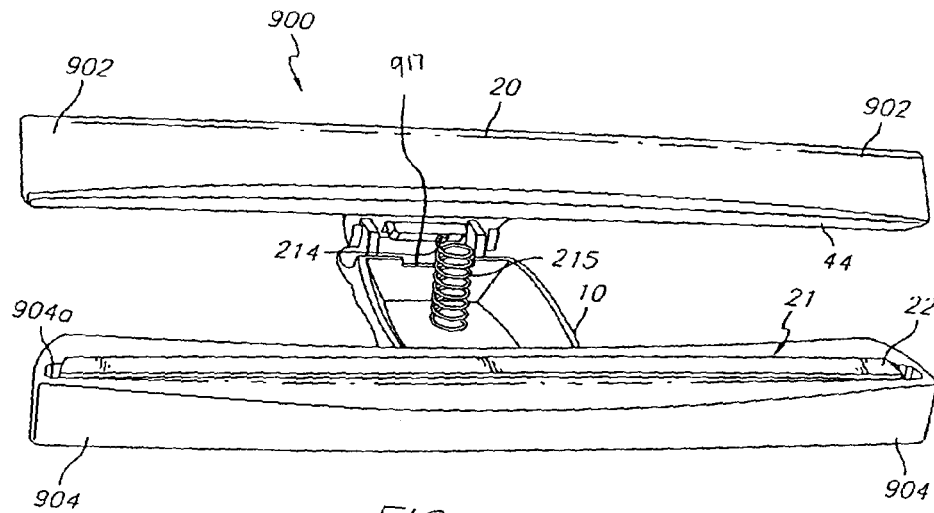


FIG. 23

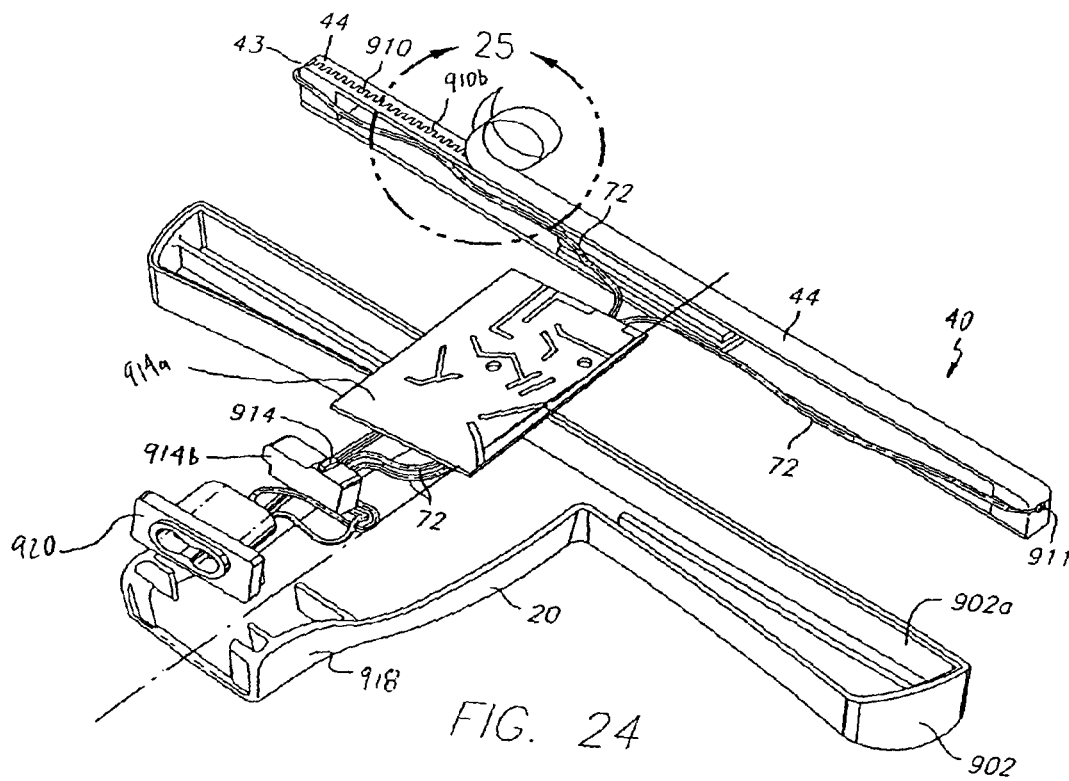


FIG. 24

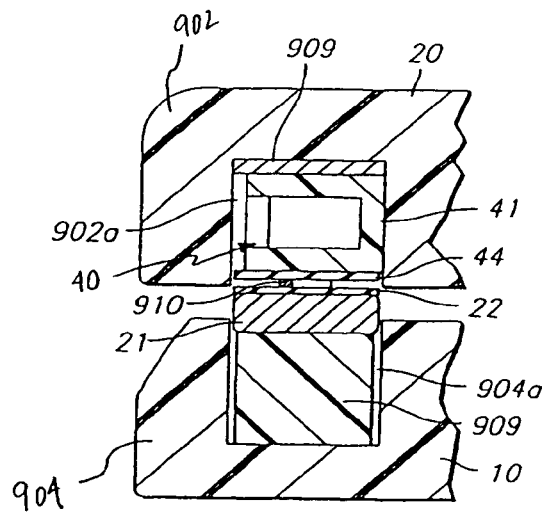
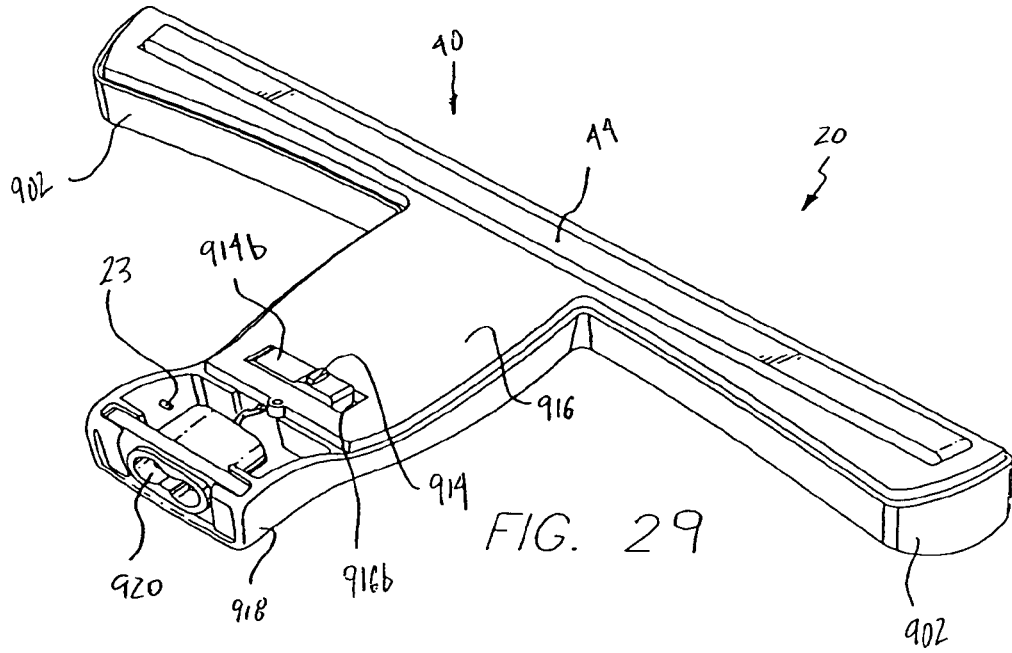


FIG. 25

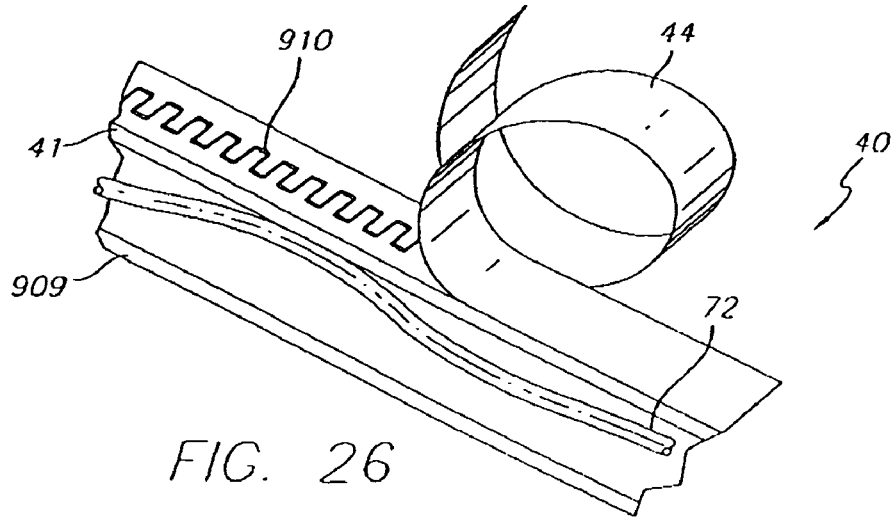


FIG. 26

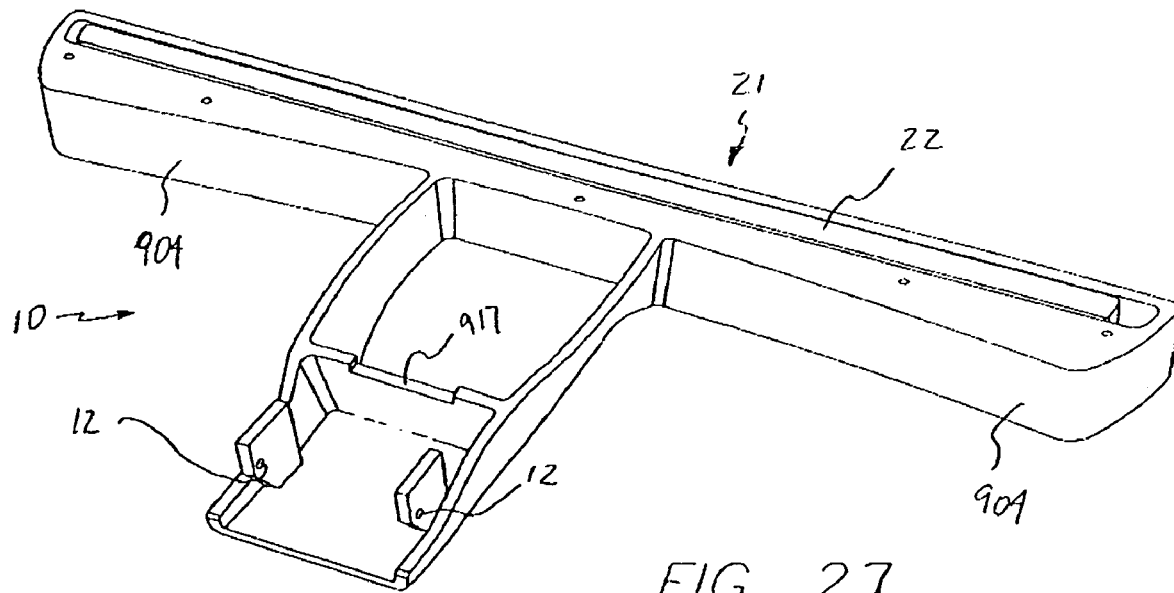


FIG. 27

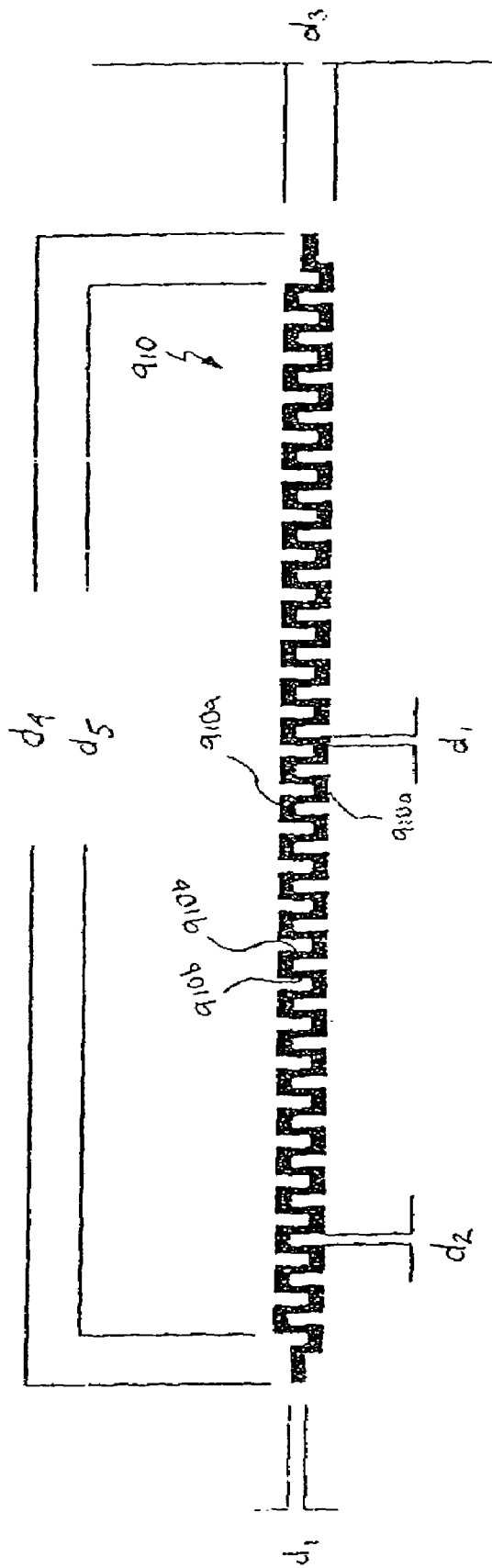


FIG. 28

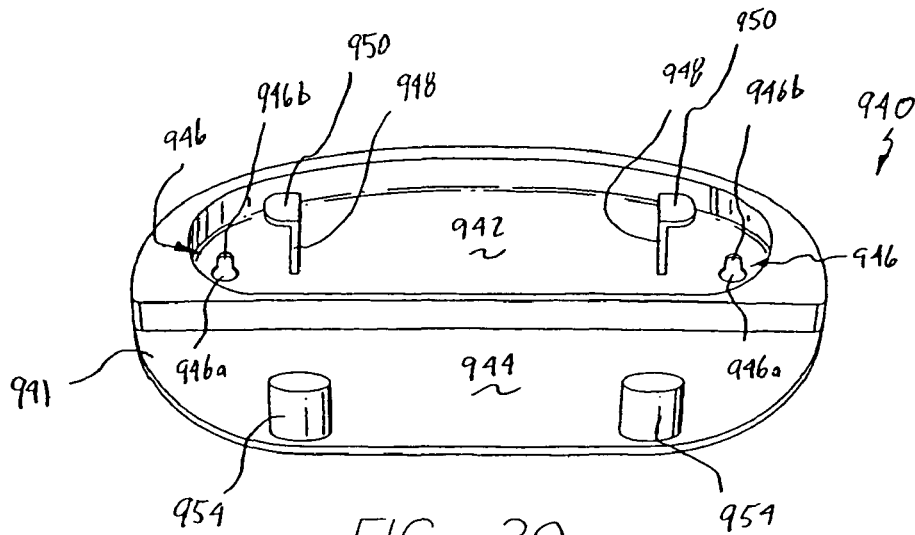


FIG. 30

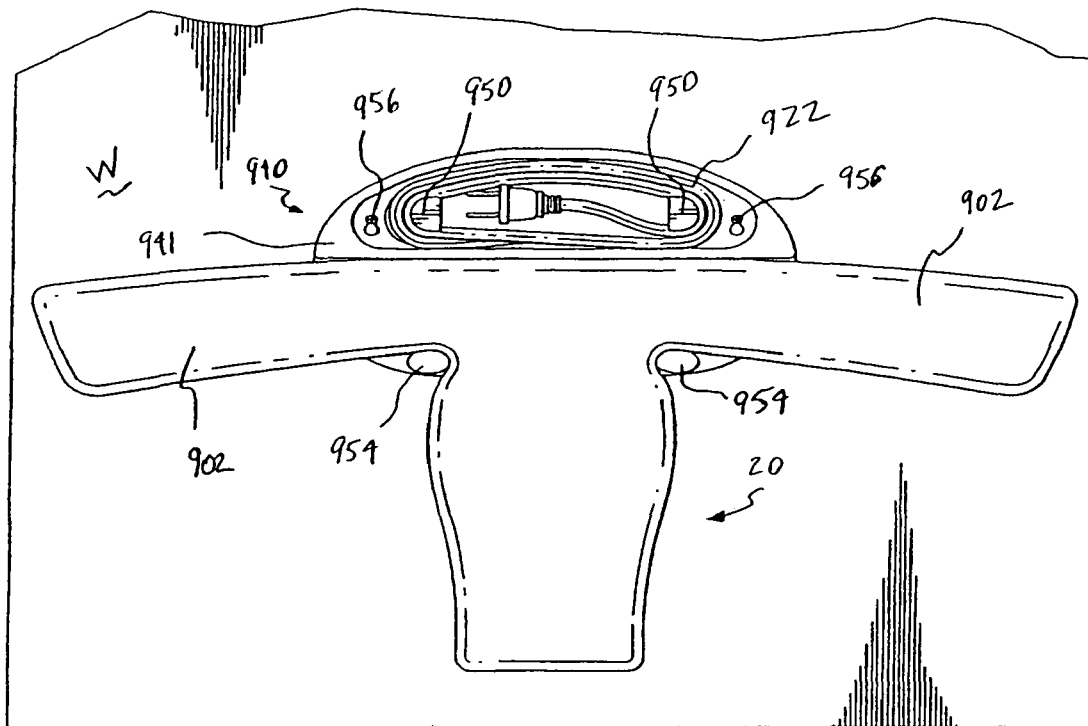


FIG. 31

TABLE-TOP ELECTRIC HEAT SEALER

This is a divisional of U.S. patent application Ser. No. 10/072,293, filed Feb. 6, 2000, now U.S. Pat. No. 6,770,849, which is a continuation-in-part of U.S. patent application Ser. No. 09/495,999, filed Feb. 1, 2000, now U.S. Pat. No. 6,335,515, and Ser. No. 09/208,256, filed Dec. 9, 1998, now U.S. Pat. No. 6,326,594, both of which are continuations-in-part of U.S. patent application Ser. No. 09/189,359, filed Nov. 9, 1998, now U.S. Pat. No. 6,232,579, which is a continuation-in-part of U.S. patent application Ser. No. 08/917,358 filed on Aug. 26, 1997, now U.S. Pat. No. 5,854,466, the disclosures of which are incorporated in their entireties herein by reference.

FIELD OF THE INVENTION

The present invention relates to an electric heat sealer, and more particularly to an electric heat sealer which can be controlled to break the electric circuit when the apparatus is not in use, so as to prevent an electric connection by a false action.

BACKGROUND OF THE INVENTION

A variety of electric heat sealers have been developed for home use, and have appeared on the market.

Conventional electric heat sealers are functional for sealing plastic bags and the like. However, these electric heat sealers have no safety control means. When an electric heat sealer is touched by an external force, the sealing mechanism may be electrically connected to produce heat, potentially causing an accident to occur.

Another problem with conventional electric heat sealers is that it is often necessary to take two "swipes" at a plastic bag to seal the bag with the sealer. For example, when sealing a bag by swiping from the left to the right, because of the configuration of the sealer, the left most portion of the bag is often left unsealed. It is then necessary to seal the unsealed area by swiping that portion from the right to the left.

A need exists for an electric heat sealer which eliminates the aforesaid problems, and which is handy and safe in use.

SUMMARY OF THE PREFERRED EMBODIMENTS

In accordance with one preferred aspect of the present invention, there is provided an electric heat sealer comprising a casing, a battery chamber, a spring holder, a sealing mechanism, a press bar, and a safety device. The casing holds the battery chamber, the spring holder, the sealing mechanism and the safety device on the inside. The battery chamber comprises a front upright support; a rear upright support; a first front terminal plate and a second front terminal plate respectively mounted on the front upright support; a pair of rear terminal plates respectively mounted on the rear upright support; a first metal contact plate mounted on the front upright support and connected the first front terminal plate; and a second metal contact plate mounted on the front upright support and spaced from the second terminal plate by a gap. The second terminal plate is forced into contact with the second metal contact plate when a battery set is installed in the battery chamber. The spring holder is mounted in the casing and spaced between the first metal contact plate and the second metal contact plate. The sealing mechanism is mounted in the casing and moved up and down relative to the first and second metal contact plates.

The sealing mechanism comprises a heat insulative base; an electric wire; two metal locating plates; and a compression spring. The heat insulative base comprises a protrusive middle portion. The electric heating wire is mounted on the protrusive middle portion of the heat insulative base. The metal locating plates are fixedly fastened to the heat insulative base at two opposite sides and respectively connected to two opposite ends of the electric heating wire. The compression spring is connected between the spring holder and the protrusive middle position of the heat insulative base.

The press bar has a fixed end pivotally connected to one end of the casing and a free and fixedly mounted with a heat insulative press block. The heat insulative press block is forced against the protrusive middle portion of the heat insulative base of the sealing mechanism when the press bar is depressed.

The safety device comprises a safety switch with two opposite terminals. The safety switch has two lead wires respectively extended from the two opposite terminals thereof and respectively connected to the second terminal plate and the second metal contact plate.

In a preferred embodiment, the inventive electric heat sealer further includes a protective frame pivotally connected to the casing and pivotable between a first position and a second position. In the first position, the protective frame is spaced between the heat insulative base of the sealing mechanism and the heat insulative press block of the press bar. In the second position, the protective frame is pivoted out of the space between the base and the press block.

Preferably, the electric heat sealing wire and the press block are covered by heat insulative sheets, which preferably are comprised of a heat-resistant material such as a Teflon mesh.

In another preferred embodiment, the inventive heat sealer further includes a cover device for the casing. The cover device has defined therein an opening through which the protrusive middle portion of the heat insulative base of the sealing mechanism extends out of the casing. More specifically, the cover device includes a front cover plate disposed on a front portion of the casing, a rear cover plate disposed on a rear portion of the casing, and an intermediate cover plate disposed on a middle portion of the casing over the battery chamber.

In accordance with another aspect of the present invention, there is provided an electric heat sealer which includes a casing; a cover device; first and second metal contact plates; a sealing mechanism; resilient means, such as a spring, piston or the like, biasing the sealing mechanism in an upward direction; operating means pivotally connected to the casing; and a safety device.

The cover device covers the casing and has an opening formed therethrough. The first and second metal contact plates are mounted within the casing below the opening in the cover device. The sealing mechanism is mounted in the casing and moves up and down relative to the first and second metal contact plates. The sealing mechanism includes: a heat insulative base having a protrusive middle portion; an electric heating wire mounted on the protrusive middle portion of the heat insulative base, the electric heating wire having two opposite ends; and two metal locating plates mounted on the heat insulative base and respectively connected to the opposite ends of the electric heating wire.

The resilient means biases the sealing mechanism in an upward direction so that the protrusive middle portion of the

heat insulative base extends through the opening in the cover device. The operating means is pivotally connected to the casing and extends above the opening in the cover device. The operating means is movable downwardly to engage an object to be sealed which is supported on the protrusive middle portion of the heat insulative base extending through the opening and urge the heat insulative base downwardly and cause the metal locating plates to engage the metal contact plates. This causes electrical current to flow through and heat the electric heating wire when the metal contact plates are connected to a source of electrical current.

The safety device selectively prevents electrical current from flowing through the electric heating wire.

In a preferred embodiment, the inventive heat sealer is adapted to be supplied with electrical current from at least one current source selected from the group consisting of a DC current source and an AC current source. Particularly, the inventive heat sealer is adapted to be supplied with electrical current from both a DC current source and an AC current source.

More particularly, the inventive heat sealer is adapted to be supplied with electrical current from a DC current source which is a battery set. In this embodiment, the casing defines a battery chamber adapted to receive a battery set, the battery chamber including a front upright support; a rear upright support; first and second front terminal plates respectively mounted on the front upright support; a pair of rear terminal plates respectively mounted on the rear upright support; a first metal contact plate mounted on the front upright support and connected to the first front terminal plate; and a second metal contact plate mounted on the front upright support and spaced from the second terminal plate by a gap. The second terminal plate is forced into contact with the second metal contact plate when a battery set is installed in the battery chamber.

Preferably, the safety device includes a safety switch having two opposite terminals and two lead wires respectively extending from the two opposite terminals thereof and respectively connected to the foregoing second terminal plate and the second metal contact plate.

In accordance with a further aspect of the present invention, there is provided an electric heat sealer comprising: a casing having an opening formed therethrough; first and second metal contact plates mounted within the casing below the opening; a sealing mechanism as described above, the sealing mechanism being mounted in the casing and moving up and down relative to the first and second metal contact plates; resilient means biasing the sealing mechanism in an upward direction so that the protrusive middle portion of the heat insulative base extends through the opening in the casing; operating means pivotally connected to the casing and extending above the opening in the casing as described above; and a safety device which selectively prevents electrical current from flowing through the electric heating wire.

In accordance with yet another aspect of the present invention there is provided an electric heat sealer that includes a main body having a longitudinal axis, and a sealing mechanism having a center point. The center point of the sealing mechanism is offset from said longitudinal axis. In a preferred embodiment, the sealer includes an offset sealer portion, in which the sealing mechanism is disposed, extending from the main body. In another preferred embodiment the sealer includes a press bar. In this embodiment, the offset sealer portion has an upper member that extends from the press bar and a lower member, wherein said main body includes a casing, wherein said upper member extends from

said press bar and said lower member extends from said casing, and said sealing mechanism is disposed in said lower member.

In accordance with yet another aspect of the present invention there is provided an electric heat sealer that includes a casing that defines a longitudinal axis and has a first offset sealer portion extending therefrom, and a sealing mechanism mounted in the first offset sealer portion. The sealing mechanism has a center point that is spaced from the longitudinal axis. In a preferred embodiment, the electric heat sealer includes a second offset sealer portion that extends from the casing in a direction substantially opposite of the first offset sealer portion.

In accordance with yet another aspect of the present invention there is provided a method of sealing comprising the steps of providing an object to be sealed and sealing the object to be sealed using a sealer wherein an offset sealer portion follows a main body portion.

In accordance with yet another aspect of the present invention there is provided a method of sealing comprising the steps of providing an electric heat sealer having an offset sealer portion with a heating wire, providing an object to be sealed positioning the sealer such that the heating wire extends over an edge of the object to be sealed, and sealing the object to be sealed with a single swipe. In a preferred embodiment, the method also includes the step of causing the sealer to apply an offset force to the object to be sealed, before swiping the sealer across the object to be sealed.

In accordance with yet another embodiment of the present invention there is provided a sealing mechanism for use with an electric heat sealer that includes a heat insulative base. The heat insulative base has at least one extension member extending from a side thereof. A channel is defined between the side and the extension member.

In accordance with yet another aspect of the present invention there is provided an electric heat sealer that includes a casing, a press bar pivotally connected to the casing, at least one sealing mechanism mounted in the press bar or the casing and a source of current for energizing the electric heating wire of the sealing mechanism. The casing and the press bar each include an extension extending outwardly therefrom. Preferably, the extensions are substantially parallel to the longitudinal axis defined by the casing.

In accordance with another aspect of the present invention there is provided an electric heat sealer including a casing, a press bar pivotally connected to the casing, at least one sealing mechanism mounted within the casing or the press bar, the sealing mechanism including a heating wire, wherein the heating wire includes at least two sections that are non-parallel to one another, and a source of current.

In accordance with yet another aspect of the present invention there is provided a sealer wall mounting mechanism that includes a main body portion, a pair of spaced apart posts extending outwardly from the main body portion, and a pair of spaced apart hang members extending outwardly from the main body portion and spaced below the pair of spaced apart posts.

In accordance with yet another aspect of the present invention there is provided a plastic bag sealer that includes a sealing mechanism having a base and a heatable wire thereon. The base has an upper surface portion upon which the wire is positioned. The length of the wire which is adapted to contact the bag is greater than the length of the upper surface portion of the base.

In accordance with yet another aspect of the present invention there is provided an electric heat sealer including a casing, a press bar pivotally connected to the casing, at

least one sealing mechanism mounted including a heating wire with a resistance of greater than about 5 ohms, and a source of current. In a preferred embodiment, the heating wire is non-circular.

In accordance with yet another aspect of the present invention there is provided a plastic bag sealer that includes a sealing mechanism having a base and a heatable wire thereon. The base has a length and an upper surface portion upon which the wire is positioned. The surface area of the wire that is adapted to contact the bag is greater than the surface area of the wire which would be adapted to contact the bag if the wire were linearly disposed along the length of the upper surface portion of the base.

Other objects, features and advantages of the present invention will become apparent to those skilled in the art from the following detailed description. It is to be understood, however, that the detailed description and specific examples, while indicating preferred embodiments of the present invention, are given by way of illustration and not limitation. Many changes and modifications within the scope of the present invention may be made without departing from the spirit thereof, and the invention includes all such modifications.

BRIEF DESCRIPTION OF THE DRAWINGS

The invention may be more readily understood by referring to the accompanying drawings in which

FIG. 1 is an exploded view of an electric heat sealer according to the present invention.

FIG. 2 is another exploded view of the present invention.

FIG. 3 is a perspective view of the present invention when viewed from the front side.

FIG. 4 is another perspective rear side view of the present invention when viewed from the rear side.

FIG. 5 is a sectional view of the present invention before operation.

FIG. 6 is another sectional view of the present invention, showing the press bar pressed down.

FIG. 7 is an enlarged view showing a flat metal contact plate and a front terminal plate separated by a gap.

FIG. 8 is a circuit diagram showing the connection of an embodiment of a safety device of the invention (a safety switch) to the flat metal contact plate and front terminal plate of FIG. 7.

FIG. 9 is an environment view showing a heat sealer having an offset sealer portion sealing a plastic bag.

FIG. 10 is a front elevational view showing the heat sealer of FIG. 9 in an open position.

FIG. 11 is a perspective view of the heat sealer of FIG. 9.

FIG. 12 is an environment view showing a heat sealer having an offset sealer portion similar to that of FIG. 9, but more ergonomically designed. The sealer is shown sealing a plastic bag.

FIG. 13 is a front elevational view showing the heat sealer of FIG. 12 in an open position.

FIG. 14 is a perspective view of the heat sealer of FIG. 12.

FIG. 15 is an environment view showing a heat sealer having an offset sealer portion similar to that of FIG. 12, but having the press bar pivotally connected to the casing at a neck portion. The sealer is shown sealing a plastic bag.

FIG. 16 is a front elevational view showing the heat sealer of FIG. 15 in an open position.

FIG. 17 is a perspective view of the heat sealer of FIG. 15.

FIG. 18 is a cross-sectional elevational view taken along line 18—18 of FIG. 17, with the frame removed.

FIG. 19 is an exploded perspective view of the spring member and heat insulative base used in a preferred embodiment of the present invention.

FIG. 20 is a plan view of a heat sealer having two offset sealer portions, in accordance with another embodiment of the present invention.

FIG. 21 is a perspective view of a heat sealer that includes extensions for sealing a plastic bag without having to “swipe” the sealer in accordance with an embodiment of the present invention.

FIG. 22 is a perspective view of the press bar of the heat sealer of FIG. 21 with the cover exploded away to show the components disposed therein.

FIG. 23 is a perspective view of the heat sealer of FIG. 21 held in an open position to show the spring and actuation button.

FIG. 24 is an exploded perspective view of the press bar of the heat sealer of FIG. 21.

FIG. 25 is a sectional side elevation taken along line 28—28 of FIG. 21 showing the sealing mechanism and heat insulative press block mounted in the press bar and casing, respectively.

FIG. 26 is a perspective view of a portion of the sealing mechanism of the heat sealer of FIG. 21 with the heat resistant cover sheet peeled back to show the heating wire.

FIG. 27 is a perspective view of the casing of the heat sealer of FIG. 21.

FIG. 28 is a top plan view of an electric heating wire in accordance with an embodiment of the present invention.

FIG. 29 is a perspective view of the press bar of the heat sealer of FIG. 21 with the cover in place.

FIG. 30 is a front perspective view of a sealer wall mounting mechanism in accordance with an embodiment of the present invention.

FIG. 31 is a front elevational view of the sealer of FIG. 21 mounted in the sealer wall mounting mechanism of FIG. 30, which is mounted on a wall.

Like numerals refer to like parts throughout the several views of the drawings.

DETAILED DESCRIPTION OF THE PREFERRED EMBODIMENTS

Referring to FIGS. 1–4 and 7, a first embodiment of an electric heat sealer in accordance with the present invention includes a casing 10, a spring holder 11, a press bar 20, a battery chamber 30, a sealing mechanism 40, and a safety device 70.

It will be appreciated that terms such as “below,” “outwardly,” “downwardly,” “upwardly,” “leftmost,” “rightmost,” “horizontal,” and “vertical” used herein are used merely for ease of description and refer to the orientation of the components as shown in the Figures. It should be understood that any orientation of the various embodiments of electric heat sealers and the components thereof described herein is within the scope of the present invention.

The battery chamber 30 is defined within the casing 10. The battery chamber 30 comprises a front upright support 31, a rear upright support 32, a pair of front terminal plates 33 and a rear terminal unit having a pair of rear terminal plates 34 respectively mounted on the front upright support 31 and the rear upright support 32. When battery cells (not shown) are installed in the battery chamber 30, the positive and negative terminals of the battery cells are respectively connected to the metal contact plates 33, 34.

A pair of flat metal contact plates 331 are mounted on the front upright support 31. One flat metal contact plate 331 is

directly connected to one front terminal plate 33. Alternatively, the two plates 331 and 31 can form a single unit. The other flat metal contact plate 331 is spaced from the other front terminal plate 33 by a gap 332.

The spring holder 11 is mounted in the front upright support 31 between the flat metal contact plates 331.

The sealing mechanism 40 is mounted within the casing 10, comprising a heat insulative base 41, an electric heating wire 42, two metal locating plates 43, a heat resisting cover sheet 44, and a compression spring 45. The heat insulative base 41 comprises a protrusive middle portion 411. The locating plates 43 are fastened to two opposite sides of the heat insulative base 41 to hold the electric heating wire 42 on the protrusive middle portion 411. The heat resisting cover sheet 44 is covered on the heat insulative base 41 over the electric heating wire 42 to protect the electric heating wire 42. The heat insulative cover sheet 44 preferably is a meshed member, made from a heat-resistant material such as Teflon, providing a smooth surface. The heat insulative base 41 has a bottom mounting hole 412 at the bottom of the protrusive middle portion 411. The bottom mounting hole 412 is preferably a circular hole. The compression spring 45 has a bottom end received in the spring holder 11, and a top end inserted into the bottom mounting hole 412. The diameter of the compression spring 45 fits the circular bottom mounting hole 412 of the heat insulative base 41. Because the sealing mechanism 40 is supported on the compression spring 45, it can be moved up and down in the casing 10 and is biased in the upward direction.

The press bar 20 comprises a heat insulative press block 21 at one end facing the protrusive middle portion 411 of the heat insulative base 41 of the sealing mechanism 40, a heat resisting cover sheet 22 covered on the heat insulative press block 21, and a pair of lugs 23 bilaterally disposed at an opposite end. The lugs 23 have a respective pivot pin 231 at an inner side respectively inserted into two transverse pivot holes 12 at one end of the casing 10. The heat resisting cover sheet 22 of the press bar 20 and the heat resisting cover sheet 44 of the sealing mechanism 40 are preferably made from same material, such as a Teflon mesh. Further, a spring plate 24 is provided between the press bar 20 and the casing 10 to impart an upward bias to the press bar 20. Because of the arrangement of the spring plate 24, the press bar 20 is normally maintained in an upward position to prevent direct contact between the heat resisting cover sheet 22 at the press bar 20 and the heat resisting cover sheet 44 at the sealing mechanism 40.

The safety device 70 is for open circuit protection. Safety device 70 preferably includes a safety switch 71 and a protective frame 73. In the particular embodiment illustrated in FIGS. 2 and 4, the safety switch 71 is mounted in the casing 10 at the rear thereof. Safety device 70 has two lead wires 72 respectively extending from two opposed terminals thereof and respectively connected to one front terminal plate 33 (which is not directly connected to the corresponding flat metal contact plate 331) and one flat metal contact plate 331 (which is not directly connected to the corresponding front terminal plate 33). See FIG. 8.

When the electric heat sealer is in use, the safety switch 71 is switched by a user to the "on" position. When the safety switch is in the "on" position, the gap 332 is bridged, enabling current to flow from terminal plate 33 to metal contact plate 331 as shown in FIG. 8. When the electric heat sealer is not in use, the safety switch 71 is switched by the user to the "off" position to keep the lead wires 72 in an open circuit state and prevent current from flowing from terminal plate 33 to contact plate 331 in FIG. 8. That is, the safety

switch is a safety device that is adapted to selectively prevent electrical current from flowing through the electric heating wire. "Selectively" denotes that a user chooses a position which opens or closes the electric circuit and sets the device in the chosen position. The device remains in the selected state until the user changes the state of the device. Safety switch 71 can be a mechanical switch, an electrical device or any other device which permits selective prevention of electrical current flow.

Depressing the press bar 20 against the sealing mechanism 40 does not close the electric circuit when the safety switch 71 is set at the "off" position.

The protective frame 73 is pivotally connected to the casing 10 on the outside of the casing at the same end as the sealing mechanism 40. When the electric heat sealer is not in use, the protective frame 73 is pivoted upwards and retained between the heat insulative block 21 of the press bar 20 and the protrusive middle portion 411 of the heat insulative base 41 of the sealing mechanism 40 to stop the heat insulative block 21 from contacting the sealing mechanism 40. When in use, the protective frame 73 is pivoted outwardly and downwards to a position away from the heat insulative block 21 and the heat insulative base 41. Thus, the protective frame, by virtue of its pivotal motion between the foregoing two positions, is also adapted to selectively prevent electrical current from flowing through the electric heating wire.

Referring to FIG. 5, when the electric heat sealer is not in use, the heat insulative base 41 is biased upward by the compression spring 45 so that the locating plates 43 are spaced from the flat metal contact plates 331 to electrically disconnect the electric heating wire 42 from the battery cells. The safety switch 71 is switched to the "off" position, and the protective frame 73 is pivoted upward to the top side of the casing 10 and retained between the heat insulative press block 21 and the protrusive middle portion 411 of the heat insulative base 41 of the sealing mechanism 40. Therefore the electric heat sealer is deactivated and performs no work.

Referring to FIG. 6, when in use, the protective frame 73 is pivoted outwardly and downwards from the position above the protrusive middle portion 411 of the heat insulative base 41 preferably to the front of the casing 10, and the safety switch 71 is switched to the "on" position to electrically connect the lead wires 72. When the press bar 20 is pressed down, the heat insulative press block 21 is forced against the heat insulative base 41. This causes the heat insulative base 41 to be lowered and forces the locating plates 43 into contact with the metal contact plates 331 to close the electrical circuit and heat the electric heating wire 42.

When sealing a workpiece, for example, a plastic bag, the open side of the plastic bag is placed between the protrusive middle portion 411 of the heat insulative base 41 and the heat insulative press block 21. Then the press bar 20 is pressed down to force the locating plates 43 into contact with the metal contact plates 331 respectively. This closes the electrical circuit, thereby causing the electric heating wire 42 to be heated. The open side of the plastic bag is thus melted and sealed by the heat produced by the electric heating wire 42. When the press bar 20 is released from the hand after use, the locating plates 43 are biased upward by the compression spring 45, along with the rest of the heat insulative base 41, from the metal contact plates 331 to open the electric circuit and prevent electrical current from the battery set from flowing through the electric heating wire 42.

In the foregoing embodiment, the inventive safety device includes both safety switch **71** and protective frame **73**. If desired, either of these elements can be utilized separately.

Referring to FIG. 1 again, a cover device **50** is provided to cover the casing **10**. The cover device **50** is comprised of a front cover plate **51**, an intermediate cover plate **52**, and a rear cover plate **53**. The front cover plate **51** covers on the front portion of the casing **10** over the sealing mechanism **40**. The intermediate cover plate **52** covers the middle portion of the casing **10** over the battery chamber **30**. The rear cover plate **53** covers the rear portion of the casing **10**. The front cover plate **51** has defined therethrough an opening **511** through which the protrusive middle portion **411** of the heat insulative base **41** extends.

Alternatively, cover device **50** can be comprised of two plates or can be formed from a single plate. That is, cover plates **51** and **52**, **52** and **53**, or **51-53** can be replaced with unitary structures.

Referring to FIG. 1 again, a magnetic bottom plate **80** is preferably fixedly mounted on the bottom of the casing **10**. By means of the magnetic bottom plate **80**, the electric heat sealer can be secured to a metal surface, for example a refrigerator door, by magnetic attraction.

Alternative embodiments of the foregoing heat sealer are also included within the scope of the present invention. In one alternative embodiment, the rear terminal unit can be replaced with two separate rear terminal plates **34** separated by a gap, and a safety switch can be connected between the plates **34** (rather than front plates **33** and **331** as described above) while the separated front plates **33** and **331** are placed in contact or form a single element.

In another alternative embodiment, electrical current can be supplied to electric heating wire **42** from an AC power source rather than a DC power source, or from both an AC power source and a DC power source. That is, the electric heat sealer can be adapted to be supplied with electrical current from at least one current source selected from an DC current source and an AC current source (including both DC and AC power sources). Exemplary alternative power sources for an electric heat sealer that can be adapted for use in the present invention are described, for example, in U.S. Pat. No. 5,142,123, which is incorporated herein in its entirety by reference. Safety switch **71** is disposed at an appropriate position in the electrical circuit between the electric heating wire and the DC and/or AC current source to selectively prevent current flow to the electric heating wire. Selection of the appropriate location for safety switch **71** in this embodiment is a matter of routine design choice for those skilled in the art.

In another alternative embodiment, the cover device **50** can be disposed on the bottom of the casing **10** rather than on the top of the casing, so that, for example, a battery set can be inserted from the bottom of the electric heat sealer. In this embodiment, if desired a magnetic bottom plate can be affixed to the cover device or a plate thereof if the cover device is comprised of multiple separate plates. In this embodiment an opening through which the protrusive middle portion **411** of the heat insulative base **41** extends is formed in an upper surface of the casing itself rather than in the cover device.

Referring to FIGS. 9-11, an embodiment of an electric heat sealer **500** having an offset sealer portion **510** is shown. As best shown in FIGS. **10** and **11**, sealer **500** is similar to those embodiments described above. However, where the above described embodiments included a sealing mechanism **40** and associated components that are aligned with a longitudinal axis defined by casing **10**, the center point C of

the sealing mechanism **40** (via the offset sealing portion **510**) of sealer **500** is offset from the longitudinal axis A defined by casing **10**.

An upper member **512** of the offset sealer portion **510** extends from the press bar **20**, and a lower member **514** of the offset sealer portion **510** extends from the casing **10**. Preferably, the offset sealer portion **510** extends in a direction substantially perpendicular to the longitudinal axis A, however, this is not a limitation on the present invention. The sealing mechanism **40** is disposed in the lower member **514** and preferably extends through an opening defined therein. It will be understood that the offset sealer portion **510** can be any desired length. Therefore, the components of the sealing mechanism **40**, such as the heat insulative base **41** and the protrusive middle portion **411** thereof, electric heating wire **42** and the heat resisting cover sheet **44** can be longer than in the above described embodiments. This creates a longer sealing surface, and provides improved sealing capabilities. The heat insulative block **21** (and the heat insulative cover sheet **22**) is located on the upper portion **512** and is preferably aligned with the heat insulative base **41** and the heat resisting cover sheet **44**, such that when the press bar **20** is pressed, the heat insulative block **21** and the heat resisting cover sheet **44** sandwich the workpiece therebetween. The heat resisting cover sheet **44** can be removed so that the electric heating wire **42** can be replaced.

Preferably, the sealer **500** is activated automatically when the press bar **20** (and upper member **512**) is pressed against the sealing mechanism **40**, thereby urging the heat insulative base **41** downwardly and closing the circuit as described above. The sealer **500** can also include a safety switch **71** as described above. When the safety switch **71** is at an "off" position, the heating wire **42** cannot be activated even when the circuit is closed by urging the locating plates **43** into contact with the contact plates **331**. When the safety switch **71** is in the "on" position, the heating wire **42** is energized when the circuit is closed by urging the locating plates **43** into contact with the contact plates **331**. In an alternative embodiment, the electric heating wire **42** can be energized simply by switching safety switch **71** to the "on" position. In this embodiment, the heat insulative base **41** can be stationary, thereby eliminating the need for a spring, locating plates **43** or contact plates **331**. Electric current can be supplied to the electric heating wire **42** of the sealer **500** by AC or DC power as described above.

As shown in FIG. 9, the offset portion **510** of the sealer **500** allows a bag to be sealed more easily with a single swipe. Thereby preventing the necessity of a second swipe as described above in the Background of the Invention.

In a preferred embodiment, the sealer **500** can also be used to open a sealed bag. Preferably the sealer **500** includes a slicer **515** that is actuated by a button **516**. The button **516** extends through the upper portion **512** and is held in a first position by a spring. When the button **516** is pressed downwardly, the slicer **515**, which is located on a bottom side of the upper portion **512**, is urged downwardly. The sealer can include a stop plate **522** with which the slicer **515** comes in contact when the button **516** is depressed. To slice a bag or the like using the slicer **515**, the user places a bag into position, as shown in FIG. 9, presses the press bar **20** downwardly, and simultaneously presses the button **516**, thereby urging the slicer **515** downwardly and into contact with (and slicing through) the bag. The sealer **500** is then pulled across the bag in one motion, thereby slicing the bag open. In a preferred embodiment, the cutting portion of the slicer is made of a ceramic that easily cuts through a plastic

bag, but that will not cut human skin. However, the slicer **515** can be made of metal or other cutting material.

It will be understood that other forms of slicers or cutters can be used with the present invention. For example, a safety cutting device such as that taught in U.S. Pat. No. 6,032,371, to Chou, filed Aug. 27, 1998, the entirety of which is incorporated herein by reference, can be used.

FIGS. 12–17 show two more embodiments of electric heat sealers with an offset sealer portion **515**. FIGS. 12–14 show a sealer **600** wherein the press bar **20**, casing **10** and offset sealer portion **510** are designed for comfort in the hand of a user. The sealer **600** can be provided with a thumb depression **618** for ease of depressing the press bar **20**. The working components of the sealer **600** are similar to those of the above described embodiments.

FIGS. 15–17 show another sealer **700** having an offset sealer portion **510**. Sealer **700** has a press bar **720** and upper member **512** of the offset sealer portion **510** that are pivotally connected via a hinge **718** to the casing **10** at a neck portion **722** of the casing **10**. As can be seen in the figures, the casing **10** acts as a handle. The sealer **700** can also include an LED **724** that indicates when the circuit is opened and closed or that indicates if the battery has power or is “dead.” As will be appreciated by those skilled in the art, the above described embodiments of electric heat sealers with offset sealer portions are constructed substantially the same as the sealers described above and shown in FIGS. 1–8, except that the sealing components are offset from the longitudinal axis defined by the main body portion.

As shown in FIGS. 16 and 17, the sealer **700** can also include a protective frame **73** as described above. The protective frame **73** is pivotally connected to the lower member **514**, and is pivotable upwardly, as shown in FIG. 17. Preferably, the protective frame **73** is part of a removable frame **726** that is engaged with the lower member **514**. Frame **726** has an opening **724** defined therein through which the protrusive portion **411** of the heat insulative base **41** extends when the frame **726** is secured on lower member **514**. The frame **726** can be secured on lower member **514** by any known method, for example, by a friction fit, by hooks, snaps, or a screw **730** as shown in FIG. 17. Such a frame for an electric heat sealer is taught in U.S. Pat. No. 6,064,038, to Chou, filed Aug. 12, 1998, the entirety of which is incorporated herein by reference.

FIG. 18 is a cross-sectional elevational view that shows a sealing mechanism **40** with a spring member **550** disposed in the lower member **514** of a sealer with an offset sealer portion. FIG. 19 shows a heat insulative base **41** and spring member **550** that can be used in a preferred embodiment of the present invention. In FIG. 19, the heat insulative base **41** and spring member **550** are shown upside down from their operative positions. The spring member **550** preferably includes four resilient arms **552** that extend angularly upwardly from a middle section **554**. The middle section **554** has an opening defined therein through which a spring **45** can extend. The middle section **554** also has two support members **558** that extend downwardly therefrom, as shown in FIG. 18.

The heat insulative base **41** includes four extension portions **560** that extend from the sides thereof and define channels **562** between themselves and the main body portion **41a** of the heat insulative base **41**. The arms **552** of the spring member **550** are sized such that they can be received in the four channels **562** of the heat insulative base **41**.

When assembled, the support members **558** of the spring member **550** are received in a pair of slots in the base of the lower member **514**. The heat insulative base **41** rests on the

spring member **550** such that the arms **552** are received in the channels **562**, thereby supporting the heat insulative base **41** in a position wherein the locating plates **43** are spaced above the contact plates **331**. In an alternative embodiment, the spring member **550** can be omitted and a spring **45** as described above can be used. In operation, the press bar **20** is pressed downwardly, thereby causing heat insulating cover sheet **22** to contact heat insulating cover sheet **44**. The heat insulative base **41** is urged downwardly (by spring member **550** flexing), thereby causing the locating plates **43** to contact the contact plates **331** and the circuit to close.

FIG. 20 shows another embodiment of the present invention, wherein an electric heat sealer **800**, similar to those described above, includes two offset sealer portions **510**, and two sealing mechanisms **40** and associated components. As shown in FIG. 18, both offset sealer portions **510** are offset from the axis A defined by the main body and casing **10** of the sealer **800**.

FIGS. 21–31 show yet another embodiment of the present invention. Referring to FIGS. 21–25, in this embodiment, the heat sealer **900** includes a pair of extensions **902** and **904** that extend outwardly from the press bar **20** and the casing **10**, respectively. In a preferred embodiment, the extension **902** or the press bar **20** houses a sealing mechanism **40**. It will be understood that the sealing mechanism **40** can also be disposed in the casing and the extension **904** thereof. In this embodiment, the longitudinal center point C of the sealing mechanism **40** is aligned with the longitudinal axis A defined by the press bar **20** and casing **10**.

As shown in FIG. 23, the casing **10** includes a heat insulative press block **21** at one end facing the sealing mechanism **40** of the press bar **20**. Preferably, the heat insulative press block **21** is covered by a heat resistant cover sheet **22**. As shown in FIG. 25, in a preferred embodiment, the heat insulative press block **21** is secured to a riser **909** that is disposed in the opening **904a** in the casing **10**/extensions **904**.

Referring to FIGS. 24–27, the sealing mechanism **40** includes a heat insulative base **41**, a heating wire **910**, a heat resistant cover sheet **44** and a pair of metal locating plates or tabs **43**. In a preferred embodiment, the sealing mechanism **40** includes a riser **909** to which the heat insulative base **41** is secured. The riser **909** is disposed in opening **902a** in the press bar **20**/extensions **902**. The heating wire **910** is disposed on the bottom surface of the heat insulative base **41**, and the heat resistant cover sheet **44** covers the heating wire **910**. In another embodiment, a second heat resistant cover sheet **44** may be placed under the heating wire **910** and on top of the heat insulative base **41**, as shown in FIG. 24. In one embodiment, the clips **43** are clipped onto the opposite ends of the heat insulative base **41** and hold the heating wire **910** and heat resistant cover sheet **44** in place, as shown in the figures depicting the embodiment shown in FIG. 5. The heat insulative base **41** may include a pair of notches adjacent the ends thereof, for receiving a portion of the clips **43**. In another embodiment, as shown in FIG. 24, the clips **43** and/or the ends of the heating wire **910** can be secured in place by metal screws **911** or other metal elements. Electrical leads **72** can be electrically connected to the screws **911** or other element, which are electrically connected to the clips **43** and/or the heating wire **910**. It will be understood that any method of securing the ends of the wire **910** and the heat resistant cover sheet **44** and including the wire **910** as part of the circuit is within the scope of the present invention.

In this embodiment, the heating wire **910** preferably has a shape such as that shown in FIG. 28. In this shape, the

heating wire **910** includes a plurality of substantially parallel horizontal sections **910a** and a plurality of substantially parallel vertical sections **910b**. In a preferred embodiment, the heating wire **910** (and clips **43**) is cut from a sheet of metal, the majority of which is Ni—CR (Nickel-Chromium). Preferably the heating wire **910** is 99% Ni—Cr and the remaining 1% is comprised of other metals. As shown in FIG. **26**, the actual heating wire **910** has a width d_1 ; the vertical sections define a space d_2 therebetween; the overall thickness of the heating wire configuration (from the outside edge of one parallel horizontal section to another) has a width d_3 ; the heating wire configuration has an overall length d_4 and a length from the outside edge of the leftmost vertical section to the outer edge of the rightmost vertical section of d_5 . It will be understood that heating wire configuration refers to the heating wire **910** in the shape shown in FIG. **28** including the substantially parallel horizontal sections **910a** and the substantially parallel vertical sections **910b**.

In a preferred embodiment, d_1 is between approximately 0.1 mm and 0.9 mm, d_2 is between approximately 0.05 mm and 0.35 mm, d_3 is between approximately 0.05 mm and 0.35 mm, d_4 is between approximately 200 mm and 260 mm, and d_5 is between approximately 180 mm and 240 mm. In a more preferred embodiment, d_1 is approximately 0.5 mm, d_2 is approximately 0.2 mm, d_3 is approximately 2 mm, d_4 is approximately 230 mm, and d_5 is approximately 210 mm. It will be understood that these dimensions are merely exemplary and are not intended to be a limitation on the present invention.

With such a heating wire configuration, the entire heating wire **910** will be longer than if the heating wire was configured in a straight orientation across the heat insulative base **41**, as in the above described embodiments. It will be understood that the heating wire **910** is shaped in such a configuration so that the overall length of the heating wire **910** when straight d_7 (not shown in the figures) is greater than the length d_6 of the heat insulative base **41**. In other words, for the portion of the heating wire **910** that is disposed on the top surface **41a** of the heat insulative base **41** (the sealing portion of the heating wire **910**), $d_7 > d_6$. Preferably, d_7 is 5 times longer than d_6 . Other heat sealers, such as the embodiments described above, have a heating wire that is straight and that runs perpendicular to the longitudinal axis defined by the casing. Other heat sealers, such as the embodiments described above, also have a heating wire that wraps around the ends of the heat insulative base, however, the sealing portion of the heating wire that is located on the top surface of the heat insulative base is less than or equal to the length of the heat insulative base. With the heating wire configuration of the present embodiment, portions of the heating wire are disposed non-perpendicular to the longitudinal axis A defined by the casing. As shown in FIG. **24**, preferably, the vertical sections **910b** of the heating wire **910** are disposed substantially parallel to the longitudinal axis A defined by the casing **10** and the press bar **20**. However, the shape shown in FIG. **24** is not a limitation on the present invention. The wire may be shaped like a sine wave or saw-tooth wave, or may combine both. In another embodiment, the sealer may include more than one heating wire **910**. The wire **910** can have any shape, provided that it affords more surface area than a single, straight, extended wire.

It will also be understood that in a preferred embodiment, the wire **910** has a non-circular cross-section. Also, the wire **910** preferable has a flat upper or contact surface. Heating wires for heat sealers, such as those described above,

typically have a circular cross-section. However, this embodiment can also have a circular cross section.

In a preferred embodiment, the wire **910** has a resistance of between approximately 2 ohms and 20 ohms. In the most preferred embodiment, the wire **910** has a resistance of approximately 5 ohms. Because the heating wire configuration is wider than wires on prior electric heat sealers, a higher resistance can be used. Typical prior art heat sealers used a heating wire that had a resistance of about 5 ohms. In a preferred embodiment, heating wire **910** has a resistance of greater than 5 ohms. In a more preferred embodiment, the heating wire **910** has a resistance of between about 7 and about 30 ohms, and in a most preferred embodiment, the heating wire **910** has a resistance of about 25 ohms because the wire **910** is preferably 5 times longer (d_7) than prior art heating wires. In AC mode, the sealer is typically used with 120 V. As is well known in the art V (voltage) = I (current) \times R (resistance) or $I = V/R$. Therefore, with a higher resistance, the current is lower. In the most preferred embodiment, $120V/25 \text{ ohms} = 4.8 \text{ Amps}$. In a typical prior art sealer used in AC mode, $120V/5 \text{ ohms} = 24 \text{ Amps}$. The lower amperage provides a more efficient burn.

Preferably, the extensions **902**, **904** extend in a direction substantially perpendicular to the longitudinal axis A, however, this is not a limitation on the present invention. The sealing mechanism **40** is disposed in an opening **902a** in the extension **902** of the press bar **20**, and extends through opening **916a** in the cover **916**. In another embodiment, the sealing mechanism **40** can be disposed on the bottom in the case **10**. In yet another embodiment, the press bar **20** and case **10** can both include a sealing mechanism **40**.

Referring to FIGS. **22**, **24** and **29**, the press bar **20** includes an actuation button **914** (and associated circuitry **914a**) or switch that is biased downwardly therefrom and is housed in a switch housing **914b**. When the press bar **20** is moved downwardly the actuation button **914** contacts the casing **10**, thereby urging the actuation button **14** upwardly and closing the circuit. In a preferred embodiment, the button **914** contacts notch **917** and is depressed. The actuation button **914** is preferably located toward the center of the press bar, and extends through opening **916b** in the cover **916**, as shown in FIG. **28**, however this is not a limitation on the present invention.

In a preferred embodiment, the circuitry is designed so that the it is only actuated for a short period of time, for example, 2 seconds. This provides enough time to seal a plastic bag and protects the user from being burned. However, this is not a limitation on the present invention. In another embodiment, the sealer **900** can include a second switch or dial for increasing or decreasing the heating/actuation time.

As shown in FIG. **24**, and with reference to the descriptions of the other embodiments above, wires **72** electrically connect the various components of the sealer, including the actuation button **914**, AC power socket **920** (described below), circuitry **914a** and heating wire **910** (as well as clips **43** and/or screws **911**).

The press bar **20** includes a pair of lugs **23** on the inner surface of the housing portion **918** that are inserted into two transverse pivot holes **12** at one end of the casing **10**. As shown in FIG. **23**, the casing **10** includes a spring **915** extending upwardly therefrom to impart an upward bias to the press bar **20**. Because of the arrangement of the spring **15**, the press bar **20** is normally maintained in an upward position to prevent direct contact between the heat resisting cover sheet **44** of the sealing mechanism **40** and the heat resisting cover sheet **22** of the casing **10**.

When the heat sealer **900** is placed on a surface, and is at rest, the press bar **20** rests on and is biased upwardly by the spring **915**. To close the circuit, the urging of the spring **915** must be overcome by pressing the press bar downwardly until the actuation button **914** contacts the casing **10**. It will be understood that if the sealing mechanism **40** is in the casing **10**, the placement of the spring **915**, circuitry, actuation button **914**, etc. will be reversed from the embodiment described above.

Referring again to FIGS. **22** and **29**, the press bar **20** is preferably made of two separate pieces that are preferably formed by a molding process, a cover **916** and a housing portion **918**. The cover **916** and the housing portion **918** can be secured together by any known method, such as by gluing, fastening, etc. Preferably, the cover includes clips **916c** that secure the cover **916** to the housing portion **918**. The portion of the cover **916** that forms part of the extensions **902** includes an opening **916a** therein, through which a portion of the sealing mechanism **40** extends.

The housing portion **918** of the press bar **20** houses the electronic circuitry as shown in FIG. **22**. Electric lead wires **72** extend from the circuitry to the sealing mechanism **40** to electrically connect the opposite ends of the heating wire **910** to the electric circuitry, thereby making the heating wire **910** a part of the circuit.

As is shown in FIG. **29**, the sealer **900** includes a socket **920** for receiving a cord **922** (shown in FIG. **31**) to electrically connect the sealer **900** with an AC power source. The cord **922** is adapted to be plugged in to a typical wall outlet, thereby providing **120 V** at **60 Hz** to the sealer **900**.

As shown in FIGS. **30** and **31**, a sealer wall mounting mechanism **940**. The mechanism **940** includes a main body portion **941**, a cord depression **942**, a sealer depression **944** and a pair of openings **946** defined transversely there-through. The cord depression **942** includes a pair of posts **948** extending outwardly therefrom around which the cord **922** can be wrapped for storage. The posts **948** can each include a tab **950** for preventing the cord from sliding off the post **948**. The sealer depression **944** includes a pair of hang members **954** on which the sealer **900** can be mounted. Preferably, the hang members **954** are spaced apart so as to allow the body of the heat sealer **900** to fit therebetween and the extensions **902**, **904** to rest thereon, as shown in FIG. **31**. The openings **946** are used for affixing the mechanism **940** to a wall **W**. In a preferred embodiment, the openings **946** have a wide section **946a** and a narrow section **946b**. To hang the mechanism on the wall, a pair of screws **956** are screwed part way into the wall so that the head is not flush against the wall; the screw heads are inserted through the wide section **946a** and the mechanism **940** is moved downwardly so that the shank of the screw **956** is received into the narrow section **946b** of the opening **946**, as shown in FIG. **31**. In another embodiment, the openings **946** can be round. It will be understood that the mechanism **940** can be affixed to a wall **W** or other surface in any known manner.

It will be understood that the extensions **902** and **904** can be any desired length. Preferably, the extensions **902** and **904** extend outwardly far enough to be able to accept (and subsequently seal) a standard sized plastic bag without having to "swipe" the sealer or the bag. The sealing of a plastic bag will be described more fully hereinbelow.

It will be further understood that certain components of the various embodiments set forth above can be interchangeably used on the sealer **900**. For example, the heat insulative base **41** can include a protrusive middle portion; the sealer **900** can include a cutter for slicing open sealed plastic bags; the sealer can operate on both AC and DC; the sealing

mechanism **40** may be spring biased such that pressing down on the sealing mechanism **40** causes the circuit to be closed, thereby energizing the heating wire **910**. The sealing mechanism can be secured in place using a frame, such that the heat resistant cover sheet **44** is easily replaceable.

The sealer **900** can also include an LED **724** (as shown in FIG. **21**), similar to that described above, that indicates when the circuit is opened and closed or that indicates if the battery has power or is "dead." As will be appreciated by those skilled in the art, the above described embodiments of electric heat sealer **900** are constructed substantially the same as the sealers described above and shown in FIGS. **1-20**, except that the casing **10** and press bar **20** include extensions **902** and **904** and the sealing mechanism **40** and/or heat insulative press block **21** are disposed in the extensions **902** or **904**. Those skilled in the art will be able to make numerous modifications to sealer **900** on the basis of the description of the other embodiments described herein. All such embodiments are within the scope of the present invention.

Preferably, the sealer **900** is activated automatically when the press bar **20** is pressed downwardly such that the actuation button **914** contacts the casing **10** and closes the circuit as described above. The sealer **900** can also include a safety switch **71** as described above. When the safety switch **71** is at an "off" position, the heating wire **910** cannot be activated even when the circuit is closed by pressing down the press bar as described above. When the safety switch **71** is in the "on" position, the heating wire **910** is energized when the circuit is closed by urging the actuation button **914** into a closed position. In an alternative embodiment, the electric heating wire **910** can be energized simply by switching safety switch **71** to the "on" position. In this embodiment, actuation button **914** can be omitted. Electric current can be supplied to the electric heating wire **910** of the sealer **900** by AC or DC power as described above.

The embodiments of the present invention recited herein are intended to be merely exemplary and those skilled in the art will be able to make numerous modifications to them without departing from the spirit of the present invention. For example, the sealing mechanism, and in particular, the electric heating wire can be shortened to provide a longer battery life. In this alternative embodiment, the electric heating wire can be less than **1.0"** in length. Preferably, the electric heating wire is less than **0.75"** in length, and more preferably the electric heating wire is less than **0.50"** in length. The shorter the electric heating wire is, the longer the batteries will last. The electric heating wire can be made of a non-ferrous material, such as copper or any other type of material to improve battery life. All such modifications are intended to be within the scope of the present invention as defined by the claims appended hereto.

What is claimed is:

1. An electric heat sealer comprising
 - (a) a casing,
 - (b) a press bar pivotally connected to said casing,
 - (c) at least one sealing mechanism mounted within said casing or said press bar, said sealing mechanism having an operating surface, and including a heating wire, wherein the portion of said heating wire disposed on said operating surface includes at least two sections that are non-parallel to one another,
 - (d) a source of current, and
 - (e) a power cord jack mounted to the casing.
2. The electric heat sealer of claim 1 wherein said casing defines a longitudinal axis, and wherein at least one of said

at least two sections of said heating wire is oriented non-perpendicularly to said longitudinal axis.

3. The electric heat sealer of claim 1 wherein said casing defines a longitudinal axis, and wherein at least one of said at least two sections of said heating wire is oriented substantially parallel to said longitudinal axis.

4. The electric heat sealer of claim 1 wherein said at least two sections of said heating wire are substantially perpendicular to one another.

5. An electric heat sealer comprising:

- (a) a casing, wherein said casing includes a first pair of extensions extending outwardly therefrom, wherein said first extensions extend in opposite directions,
- (b) a press bar pivotally connected to said casing, wherein said press bar includes a second pair of extensions extending outwardly therefrom, wherein said first extensions extend in opposite directions, and wherein said press bar is normally biased above said casing,
- (c) a sealing mechanism mounted in said press bar, wherein said sealing mechanism includes
 - (i) a heat insulative base,
 - (ii) a heating wire secured on said heat insulative base, wherein said heating wire comprises at least two horizontal sections that are substantially parallel and at least two vertical sections that are substantially parallel, and wherein said at least two horizontal sections and said at least two vertical sections are substantially perpendicular to one another, and
 - (iii) a heat resistant cover sheet secured over said heating wire,
- (d) a source of current for energizing said heating wire, and
- (e) a power cord jack mounted to the casing wherein said sealing mechanism extends into said extensions.

6. The electric heat sealer of claim 5 further comprising an actuation button extending downwardly from said press bar wherein said heating wire is energized when said press bar is pressed downwardly and said actuation button is urged upwardly to electrically connect said source of current to said heating wire.

7. A sealer wall mounting mechanism comprising:

- (a) a main body portion,
- (b) a pair of spaced apart posts extending outwardly from said main body portion, and
- (c) a pair of spaced apart hang members extending outwardly from said main body portion and spaced below said pair of spaced apart posts

wherein the spaced apart posts are configured to allow the securing of a power cord wrapped around the spaced apart posts and the spaced apart hang members are configured to support the hanging of a heat sealing device having a body with a longitudinal handle portion and a sealer portion including a pair of extensions extending outwardly from the longitudinal handle portion, the spaced apart hang members being distanced from each other at a width that is larger than the

longitudinal handle portion of the body, but the width being smaller than the sealer portion.

8. The mechanism of claim 7 wherein said main body portion has a pair of openings defined therein.

9. The mechanism of claim 8 wherein said openings include a wide portion and a narrow portion.

10. The mechanism of claim 7 wherein said posts each have a tab attached to an end thereof.

11. The mechanism of claim 7 wherein said main body portion has a cord depression and a sealer depression defined therein, wherein said pair of posts are disposed in said cord depression, and wherein said pair of hang members are disposed in said sealer depression.

12. A plastic bag sealer comprising a sealing mechanism having a base and a heatable wire thereon, the base having an upper surface portion upon which the wire is positioned, wherein the length of the wire which is adapted to contact the bag is greater than the length of the upper surface portion of the base, and the base further having a power cord jack mounted to the base.

13. An electric heat sealer comprising

- (a) a casing,
- (b) a press bar pivotally connected to said casing,
- (c) at least one sealing mechanism mounted within said casing or said press bar, said sealing mechanism including a heating wire, wherein said heating wire has a resistance of greater than about 5 ohms,
- (d) a source of current, and
- (e) a power cord jack mounted to the casing.

14. The sealer of claim 13 wherein said sealing mechanism has an operating surface, wherein the portion of said heating wire disposed on said operating surface includes at least two sections that are non-parallel to one another.

15. An electric heat sealer comprising

- (a) a casing,
- (b) a press bar pivotally connected to said casing,
- (c) at least one sealing mechanism mounted within said casing or said press bar, said sealing mechanism including a heating wire having, a non-circular cross-section,
- (d) a source of current, and
- (e) a power cord jack mounted to the casing.

16. The sealer of claim 15 wherein said heating wire has a planar top surface.

17. The sealer of claim 16 wherein said heating wire has a rectangular cross-section.

18. A plastic bag sealer comprising a sealing mechanism having a base and a heatable wire thereon, the base having, a length and an upper surface portion upon which the wire is positioned, wherein said surface area of said wire that is adapted to contact the bag is greater than the surface area of the wire which would be adapted to contact the bag if said wire were linearly disposed along said length of said upper surface portion of the base, the base further having a power cord jack mounted thereto.