



US007225730B2

(12) **United States Patent**
Backus et al.

(10) **Patent No.:** **US 7,225,730 B2**
(45) **Date of Patent:** **Jun. 5, 2007**

(54) **SPIT ASSEMBLY SUPPORT BASE**

251,657 A 12/1881 Van
257,609 A 5/1882 Porter
427,671 A 5/1890 Carpenter
442,758 A 12/1890 Soden
504,256 A 8/1893 Strong
553,363 A 1/1896 Sickels
559,720 A 5/1896 Lacroix

(75) Inventors: **Alan L. Backus**, Los Angeles, CA (US); **Ron Popeil**, Beverly Hills, CA (US)

(73) Assignee: **Ronco Marketing Corporation**, Simi Valley, CA (US)

(*) Notice: Subject to any disclaimer, the term of this patent is extended or adjusted under 35 U.S.C. 154(b) by 48 days.

(Continued)

FOREIGN PATENT DOCUMENTS

(21) Appl. No.: **11/215,720**

AT 223335 9/1962

(22) Filed: **Aug. 29, 2005**

(65) **Prior Publication Data**

US 2005/0284306 A1 Dec. 29, 2005

(Continued)

OTHER PUBLICATIONS

Related U.S. Application Data

(63) Continuation of application No. 10/286,656, filed on Nov. 2, 2002, now Pat. No. 6,988,445, and a continuation of application No. 09/940,219, filed on Aug. 27, 2001, now abandoned, and a continuation of application No. 09/662,308, filed on Sep. 15, 2000, now Pat. No. 6,393,972, and a continuation of application No. 09/436,614, filed on Nov. 9, 1999, now Pat. No. 6,173,645, and a continuation of application No. 09/217,944, filed on Dec. 21, 1998, now Pat. No. 6,170,390.

Dorman, et al., *Advantage Partners, LLC v. Salton, Inc., et al.* "Ex Parte Application For Temporary Restraining Order and Order to Show Cause Re Preliminary Injunction", Dated Feb. 2, 2001; (5) pages.

(Continued)

Primary Examiner—Reginald L. Alexander
(74) *Attorney, Agent, or Firm*—Jeffer Mangels Butler & Marmaro, LLP

(57) **ABSTRACT**

(51) **Int. Cl.**

A47J 37/04 (2006.01)

(52) **U.S. Cl.** **99/419**; 99/421 V; 99/421 H

(58) **Field of Classification Search** 99/421 V, 99/419, 421 H, 421 A; 248/519, 511, 523, 248/911

See application file for complete search history.

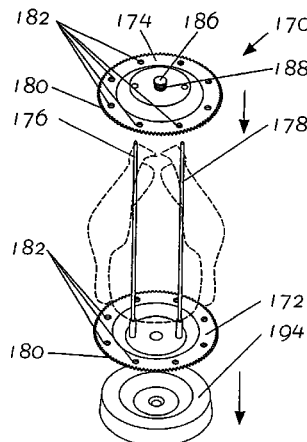
A support base for supporting the spit assembly of a rotisserie oven. The support base includes a substantially circular-shaped member having a periphery and an indented portion defined therein. The indented portion has a frustum-conical shape and extends downwardly into the substantially circular-shaped member, and the substantially circular-shaped member has an opening for receiving the stub axle of a spit assembly defined therein.

(56) **References Cited**

U.S. PATENT DOCUMENTS

199,712 A 1/1878 Horrocks et al.

7 Claims, 16 Drawing Sheets



US 7,225,730 B2

Page 2

U.S. PATENT DOCUMENTS

693,725 A	2/1902	Leland	3,045,581 A	7/1962	Bernstein
714,430 A	11/1902	Worley et al.	3,070,953 A	1/1963	Carrel 60/23
807,162 A	12/1905	Gardner	3,074,360 A	1/1963	Vaughan 107/59
848,018 A	3/1907	Engelhard	3,079,208 A	2/1963	Compton
904,382 A	11/1908	Van Patten	3,085,500 A	4/1963	Russell 99/427
961,543 A	6/1910	Sidgreaves	3,100,435 A *	8/1963	Mobley, Jr. 99/421 HH
1,045,049 A	11/1912	Longfellow et al.	3,103,161 A	9/1963	Whitehead
1,063,516 A	6/1913	Dunn et al.	3,104,605 A	9/1963	McKinney 99/421
1,093,883 A	4/1914	Raillere	3,121,424 A	2/1964	Russell
1,471,122 A *	10/1923	Greaves 269/54.5	3,125,015 A	3/1964	Schlaegel 99/421
1,584,121 A	5/1926	Moecker, Jr. et al.	3,126,814 A	3/1964	Brown
1,666,394 A	4/1928	Miglin	3,127,889 A	4/1964	Mills
1,723,704 A	8/1929	Morgan	3,129,653 A	4/1964	Kertesz 99/421
1,786,300 A	12/1930	Harrison	D199,712 S	12/1964	Elliott D81/10
1,976,989 A	10/1934	Grimes 53/5	3,181,453 A	5/1965	Moran
1,993,607 A	3/1935	Kalgren 219/35	3,182,585 A	5/1965	Rensch et al. 99/340
2,012,811 A	8/1935	Duffy	3,188,939 A	6/1965	Smith
2,048,769 A	7/1936	Anderson 126/29	3,196,776 A	7/1965	Norton
2,049,481 A *	8/1936	Walterspiel 99/421 V	3,205,812 A	9/1965	Booth 99/421
2,085,169 A	6/1937	Prood	3,227,405 A *	1/1966	Layton 47/40.5
2,102,097 A	12/1937	Sherman 53/5	3,240,147 A	3/1966	Farber et al. 99/421
2,130,259 A	9/1938	Bonaguidi 53/5	3,248,518 A	4/1966	Ogle, Jr. et al. 219/447
2,133,667 A	10/1938	Mitchell 17/44.2	3,269,299 A	8/1966	Nielsen 99/421
2,136,658 A	11/1938	Westberg et al. 53/5	3,276,351 A	10/1966	Sundholm 99/339
2,142,390 A	1/1939	Zerr 53/5	3,285,238 A	11/1966	Norlie
2,245,220 A	6/1941	Nelson	3,315,591 A	4/1967	Elliott
2,297,825 A	10/1942	Bobo 53/5	3,329,082 A	7/1967	Satkunas 99/421
2,472,164 A	6/1949	Mannheimer 126/25	3,333,529 A	8/1967	Wilson 99/339
2,501,104 A	3/1950	Smith 99/449	3,335,712 A	8/1967	Marasco
2,502,685 A	4/1950	Warner	3,348,471 A	10/1967	Lackenbauer et al.
2,607,286 A	8/1952	Krissel	3,355,573 A	11/1967	Wilson 219/396
2,616,360 A	11/1952	Thompson 99/426	3,362,320 A	1/1968	Marasco 99/443
2,618,730 A	11/1952	Panken 219/35	3,473,464 A	10/1969	Lasker 99/421
2,619,951 A	12/1952	Kahn	3,503,323 A	3/1970	Swetlitz 99/352
2,638,841 A	5/1953	Boyce 99/397	3,511,170 A	5/1970	O'Connor
2,649,852 A *	8/1953	McCandless 126/273 R	3,527,155 A	9/1970	Renn
2,681,001 A	6/1954	Smith	3,529,536 A	9/1970	Milhem
2,696,163 A	12/1954	Galley 99/427	3,559,565 A	2/1971	Getz 99/340
2,701,516 A	2/1955	Dorsey	3,566,777 A	3/1971	Koziol
2,705,450 A	4/1955	Steinbook	3,693,538 A	9/1972	Synder
2,722,882 A *	11/1955	Wilson 99/421 H	3,734,740 A	5/1973	Zenos 99/1
2,727,315 A	12/1955	Candor 34/45	3,782,268 A	1/1974	Navarro 99/421 P
2,754,401 A	7/1956	Edelman	3,797,379 A	3/1974	Brion 99/421 H
2,759,411 A	8/1956	Jenson 98/40	3,802,331 A	4/1974	Zickefoose 99/427
2,762,293 A	9/1956	Boyajian 99/421	3,805,762 A	4/1974	Nelson 126/4
2,809,579 A	10/1957	Theisen 99/339	3,807,292 A	4/1974	Cinger 99/348
2,811,099 A	10/1957	McGoldrick 99/444	3,838,538 A	10/1974	Burford
2,815,707 A *	12/1957	Morrow 99/421 HH	3,848,522 A	11/1974	Trelc 99/421 H
2,821,187 A	1/1958	Tescula 126/25	3,867,605 A	2/1975	Yee 219/10.55 D
2,827,847 A	3/1958	Shafter	3,867,877 A	2/1975	Zajc
2,828,733 A	4/1958	Moore, Jr.	3,901,136 A	8/1975	Wilson et al.
2,831,420 A	4/1958	Radman 99/357	3,931,758 A	1/1976	Blake 99/419
2,831,421 A	4/1958	Mele	3,935,806 A	2/1976	Connolly 99/340
2,839,989 A	6/1958	Persinger	3,935,807 A	2/1976	Main et al. 99/352
2,846,941 A	8/1958	Goodwin	3,939,761 A	2/1976	McGinty 99/421 H
2,851,575 A	9/1958	Walston et al.	3,943,837 A	3/1976	Trkla 99/339
2,867,163 A	1/1959	Bloom 99/386	3,959,620 A	5/1976	Stephen, Jr. 219/386
2,882,812 A	4/1959	Greenwald 99/427	3,980,010 A	9/1976	Collinucci 99/421 H
2,885,950 A	5/1959	Stoll et al. 99/340	4,005,646 A	2/1977	Krüper 99/427
2,887,944 A *	5/1959	Walker 99/421 HH	4,051,838 A	10/1977	Pinckney 126/340
2,888,872 A	6/1959	Bathe 99/259	4,089,258 A	5/1978	Berger
2,895,408 A	7/1959	Glenny	4,103,605 A	8/1978	Hemborg et al. 99/345
2,898,437 A	8/1959	McFarland	4,103,606 A	8/1978	Gitcho 99/443 C
2,917,988 A	12/1959	Harris	4,106,473 A	8/1978	Wandel 126/25 R
2,925,081 A	2/1960	Shooter	4,114,523 A	9/1978	Eff 99/393
2,938,450 A	5/1960	Carpenter et al.	4,119,020 A	10/1978	Sharp et al.
2,939,383 A	6/1960	Kanaga 99/327	4,154,154 A	5/1979	Vivian 99/421 HH
2,940,380 A	6/1960	Rampel 99/346	4,158,992 A	6/1979	Malafouris 99/421 HV
2,979,053 A	4/1961	Crispell et al.	4,163,894 A	8/1979	Scherer 219/391
2,983,218 A	5/1961	Persinger et al.	4,165,683 A	8/1979	Van Gilst 99/393
3,025,783 A	3/1962	Coudek	4,176,592 A	12/1979	Doyle, Jr. 99/419
			4,181,074 A *	1/1980	Hieb 99/421 HH
			4,214,516 A	7/1980	Friedl et al.

US 7,225,730 B2

4,244,979 A	1/1981	Roderick	426/418	5,361,685 A	11/1994	Riccio	99/421 H
4,270,444 A	6/1981	Geissmann	99/421 V	5,361,686 A	11/1994	Koopman	99/421 H
4,286,133 A	8/1981	Einset et al.	219/10.55 F	5,367,950 A	11/1994	Sarich	
4,300,443 A	11/1981	Morcos et al.	99/332	5,373,778 A	12/1994	Moreth	99/421 H
4,301,718 A	11/1981	Lewinger et al.	99/359	5,373,809 A	12/1994	Sphar	119/17
4,304,177 A	12/1981	Loeffler et al.	99/333	5,379,685 A	1/1995	Krasznai	99/389
4,321,857 A	3/1982	Best	99/340	5,390,588 A	2/1995	Krasznai et al.	99/389
4,327,274 A	4/1982	White et al.	219/10.55 R	5,404,795 A	4/1995	Coble	99/339
4,335,289 A	6/1982	Smith	219/10.55 F	5,405,627 A	4/1995	Ito	
4,355,569 A	10/1982	Sage	99/427	5,410,948 A	5/1995	Eickmeyer	
4,355,626 A	10/1982	Bailey et al.		5,410,950 A	5/1995	Rone	99/421 HV
4,366,750 A	1/1983	Brown et al.	99/421 V	5,417,148 A	5/1995	Cavallo	99/334
4,372,199 A	2/1983	Brown et al.	99/341	5,427,015 A	6/1995	Zittel	99/348
4,407,189 A	10/1983	Bentson	99/421 HH	5,429,042 A	7/1995	Koopman	
4,409,452 A	10/1983	Oouchi et al.		5,431,093 A	7/1995	Dodgen	99/427
4,410,553 A	10/1983	McGinty	426/243	5,441,037 A	8/1995	Yen	126/258
4,418,261 A	11/1983	Jailor et al.	219/10.55 R	5,442,999 A	8/1995	Meister	99/426
4,421,016 A	12/1983	Sich		5,445,064 A	8/1995	Lopata	99/421 H
4,442,763 A	4/1984	Beller		5,445,065 A	8/1995	Lopata	99/421 H
4,450,758 A	5/1984	Belinkoff et al.	99/332	5,447,096 A	9/1995	Bürge et al.	99/339
4,454,805 A	6/1984	Matthews	99/400	5,447,620 A	9/1995	Pagnac et al.	208/33
4,455,928 A	6/1984	Townsend		5,451,744 A	9/1995	Koopman et al.	219/400
4,470,343 A	9/1984	Didier	99/427	5,465,653 A	11/1995	Riccio	99/421 H
4,483,241 A	11/1984	Vaughn		5,469,782 A	11/1995	Wong	99/644
4,491,065 A	1/1985	Poulson	99/327	5,471,914 A	12/1995	Krasznai et al.	99/389
4,505,195 A	3/1985	Waltman	99/427	5,471,915 A	12/1995	Lopata	99/421 H
4,508,024 A	4/1985	Perkins		5,473,977 A	12/1995	Koether et al.	
4,520,791 A	6/1985	Chamberlain		5,485,780 A	1/1996	Koether et al.	99/419
4,548,130 A	10/1985	Diener et al.	99/345	5,497,697 A	3/1996	Promny	
4,555,986 A	12/1985	Eisenberg	99/427	5,515,773 A	5/1996	Bullard	
4,556,046 A	12/1985	Riffel et al.	126/299 D	5,515,774 A	5/1996	Swisher et al.	
4,562,771 A	1/1986	Williams		5,518,127 A	5/1996	Warmack et al.	211/193
4,572,062 A	2/1986	Widdowson	99/345	5,533,440 A	7/1996	Sher	99/421 HHH
4,583,452 A	4/1986	Grosse	99/427	5,545,874 A	8/1996	Hansson	219/400
4,585,661 A	4/1986	Brummett	426/520	5,560,285 A	10/1996	Moreth	99/421 H
4,591,683 A	5/1986	Eke	219/10.55 B	5,562,022 A	10/1996	Schmid et al.	
4,600,254 A	7/1986	Whalen		5,566,997 A	10/1996	Lin	294/5
4,625,634 A	12/1986	Krüper		5,575,196 A	11/1996	Masel et al.	99/421 V
4,661,669 A	4/1987	Matsushima et al.		5,579,681 A	12/1996	Ubert et al.	99/427
4,688,541 A	8/1987	Stephen et al.	126/25 R	5,588,353 A	12/1996	Glucksman et al.	99/348
4,726,352 A	2/1988	Radke		5,592,869 A	1/1997	Zittel	99/348
4,743,737 A	5/1988	Tateishi	219/368	5,598,582 A	2/1997	Andrews et al.	
4,817,514 A	4/1989	Hitch et al.	99/419	5,598,769 A	2/1997	Luebke et al.	
4,839,186 A	6/1989	Boyle	426/523	5,601,070 A	2/1997	Hotard et al.	126/21 A
4,867,051 A	9/1989	Schalk	99/443 C	5,611,265 A	3/1997	Ronci et al.	99/353
4,870,896 A	10/1989	Asahina et al.	99/348	5,619,909 A	4/1997	Volk	99/419
4,886,044 A	12/1989	Best	126/39 C	5,632,098 A	5/1997	Finch	
4,924,766 A	5/1990	Hitch		5,632,265 A	5/1997	Koziol	126/30
4,968,515 A	11/1990	Burkett et al.		5,639,497 A	6/1997	Bedford et al.	
4,986,174 A	1/1991	Gongwer	99/345	5,665,258 A	9/1997	Hsu	219/388
5,001,971 A	3/1991	Beller		5,669,290 A	9/1997	Natsumi et al.	99/421 H
5,038,748 A	8/1991	Lockwood et al.	126/19 R	5,671,659 A	9/1997	Swindle	99/419
5,039,535 A	8/1991	Lang et al.		5,697,289 A	12/1997	Hackett	99/339
5,044,262 A	9/1991	Burkett et al.		5,715,744 A	2/1998	Coutant	99/421 H
5,058,493 A	10/1991	Basek et al.	99/339	5,716,657 A	2/1998	Liebermann	426/232
5,101,715 A *	4/1992	Liu	99/421 V	5,720,217 A	2/1998	Pappas	99/421 H
5,134,927 A	8/1992	McCarthy, III. et al.	99/427	D391,799 S	3/1998	Haring et al.	D7/338
5,136,933 A	8/1992	Derakhshan	99/421 P	5,727,719 A	3/1998	Veliz et al.	224/148.4
5,146,842 A	9/1992	Romano	99/421 V	5,735,191 A	4/1998	Russell et al.	
5,148,737 A	9/1992	Poulson	99/327	5,740,722 A	4/1998	Emsens	99/419
5,163,358 A	11/1992	Hanagan et al.	99/339	5,740,724 A	4/1998	Fabrikant et al.	99/426
5,172,628 A	12/1992	Pillsbury et al.	99/421 H	5,746,116 A	5/1998	Smith	
5,182,981 A	2/1993	Wilcox	99/333	5,761,991 A	6/1998	Kambies	99/427
5,184,540 A	2/1993	Riccio		D395,980 S	7/1998	Boisselier	D7/354
5,193,444 A	3/1993	Bar-Sheshet	99/427	5,778,766 A	7/1998	Wang	99/326
5,205,207 A	4/1993	McGuire	99/340	5,780,815 A	7/1998	Mestnik et al.	219/400
5,205,208 A	4/1993	Gongwer	99/345	5,785,046 A	7/1998	Colla	126/9 R
5,235,148 A	8/1993	Yamaguchi et al.	219/10.55 B	5,793,610 A	8/1998	Schmitt et al.	361/695
5,235,903 A	8/1993	Tippmann	99/331	5,798,505 A	8/1998	Lee	219/681
5,275,095 A	1/1994	Van Haren		5,799,569 A	9/1998	Moreth	
5,297,534 A	3/1994	Louden	126/30	5,801,357 A *	9/1998	Danen	219/403
D347,762 S	6/1994	Bannigan	D7/328	5,801,362 A	9/1998	Pearlman et al.	
5,325,767 A	7/1994	Beller		5,802,962 A	9/1998	Goldyn	99/421 H

5,809,995	A	9/1998	Kobayashi et al.	126/391	DE	29916161	U1	2/2000
5,814,795	A *	9/1998	Kim et al.	219/732	DE	29916242	U1	2/2000
5,819,639	A	10/1998	Spell	99/421 H	EP	0281866		9/1988
5,845,563	A	12/1998	Haring et al.		EP	0332505		9/1989
5,881,640	A	3/1999	Rævsager		EP	0396470	A1	11/1990
5,887,513	A	3/1999	Fielding et al.	99/421 A	ES	2029576		8/1992
5,910,332	A	6/1999	Fakieh	426/523	FR	853400	*	3/1940
5,918,534	A	7/1999	Medina	99/342	FR	853400		1/1947
5,961,866	A	10/1999	Hansen		FR	1116586		5/1956
5,970,854	A	10/1999	Tsai		FR	1218203		5/1960
D415,923	S	11/1999	Hermansson	D7/323	FR	1265159		5/1961
5,974,956	A	11/1999	McConnell	99/421 H	FR	1300126		6/1962
5,981,926	A	11/1999	Kim	219/732	FR	2078609		11/1971
5,997,928	A	12/1999	Kaish et al.	426/418	FR	2276799	A1	1/1976
6,009,797	A	1/2000	Lin		FR	2477396	A1	9/1981
6,023,049	A	2/2000	Huang		FR	2498915	A1	8/1982
6,038,965	A	3/2000	Thorndyke	99/340	FR	2603178	A3	3/1988
6,041,694	A	3/2000	Hsu	99/427	FR	2625668		7/1989
D422,172	S	4/2000	Hsu	D7/350	GB	478044		1/1938
6,047,633	A	4/2000	Khaytman	99/421 V	GB	850083		9/1960
6,076,453	A	6/2000	Hsu	99/421 H	GB	880899		10/1961
6,079,319	A	6/2000	Doria	99/331	GB	996233		6/1965
6,079,322	A	6/2000	Su		GB	1257945		12/1971
6,080,967	A	6/2000	Sandor et al.		IT	555893		1/1957
6,085,642	A	7/2000	Terry	99/421 A	JP	60-49785	A	3/1985
6,119,586	A	9/2000	Gongwer	99/345	JP	61-22133		1/1986
6,131,505	A	10/2000	Lin		SE	323756		5/1970
6,138,553	A	10/2000	Toebben		SE	500872	C2	9/1994
D433,867	S	11/2000	Hsu	D7/350	WO	WO 86/04978		8/1986
D434,939	S	12/2000	To	D7/350	WO	WO 00/28869		5/2000
6,167,800	B1	1/2001	Su	99/421 H				
6,178,879	B1	1/2001	Park	99/421 H				
6,182,560	B1	2/2001	Andress	99/400				
6,250,211	B1	6/2001	Gongwer	99/340				
6,257,128	B1	7/2001	Chen	99/421 H				
6,279,165	B1	8/2001	Kobayashi					

FOREIGN PATENT DOCUMENTS

AT	238395	6/1964
CH	424144	5/1967
CH	603130 A5	8/1978
CH	662496 A5	10/1987
DE	657089	2/1938
DE	1162985	2/1964
DE	43251	11/1965
DE	1998600	12/1968
DE	1429829	4/1969
DE	1454157	8/1969
DE	1454014	7/1970
DE	7047203	4/1971
DE	1779063	10/1971
DE	7213693	8/1972
DE	2307575	8/1973
DE	2358119	5/1974
DE	7407464	7/1974
DE	2308779	9/1974
DE	2310390	9/1974
DE	2425346 A1	12/1975
DE	2430233 A1	1/1976
DE	2205703	7/1976
DE	1679001	8/1976
DE	2601877 A1	7/1977
DE	2646811 A1	4/1978
DE	3000653 A1	7/1981
DE	3214818 A1	11/1983
DE	3401002 A1	7/1985
DE	3606800	9/1987
DE	4112325	1/1992
DE	4226098 A1	4/1993
DE	4413050 C1	6/1995
DE	29602405 U1	6/1996
DE	29909108 U1	9/1999

OTHER PUBLICATIONS

Hankin, et al. *Advantage Partners, LLC v. Salton, Inc., et al.* "Defendent Salton, Inc.'s Opposition to Plaintiff's Ex Parte Application For Temporary Restraining Order and Order to Show Cause Re Preliminary Injunction" Dated Feb. 6, 2001; (15) pages.

Dorman, et al., *Advantage Partners, LLC v. Salton, Inc., et al.* "Plaintiff's Reply to Salton's Opposition to Ex Parte Application for Temporary Restraining Order and Order to Show Cause Re Preliminary Injunction", Dated Feb. 7, 2001; (10) pages.

Dorman, et al., *Advantage Partners, LLC v. Salton, Inc., et al.* "Ex Parte Order Granting Application for Temporary Restraining Order and Order to Show Cause Re Preliminary Injunction", Dated Feb. 9, 2001; (5) pages.

Dorman, et al., *Advantage Partners, LLC v. Salton, Inc., et al.* "Final Consent Judgement and Permanent Injunction Against Defendant Salton, Inc."; Dated Feb. 20, 2001; (9) pages.

Dorman, et al., *Advantage Partners, LLC v. Salton, Inc., et al.* "Ex Parte Application For Temporary Restraining Order and Order to Show Cause Re Preliminary Injunction", Dated Feb. 2, 2001; (6) Pages.

Hankin, et al. *Advantage Partners, LLC v. Salton, Inc., et al.* "Defendant Salton, Inc.'s Opposition to Plaintiff's Ex Parte Application For Temporary Restraining Order and Order to Show Cause Re Preliminary Injunction". Dated Feb. 6, 2001; (18) Pages.

Dorman, et al., *Advantage Partners, LLC v. Salton, Inc., et al.* "Plaintiff's Reply to Salton's Opposition to Ex Parte Application for Temporary Restraining Order and Order to Show Cause Re Preliminary Injunction" Dated Feb. 7, 2001; (31) Pages.

Farberware Millennium Use & Care Instructions Vertical Rotisserie FSR150; Dated Apr. 1998; (11) Pages.

Hankin, et al., *Advantage Partners, LLC v. Salton, Inc., et al.* "Defendants' Opposition to Plaintiff's Ex Parte Application for Temporary Restraining Order and Order to Show Cause Re Preliminary Injunction"; Dated Jul. 16, 2001; (36) Pages.

Wytsma, et al., *Advantage Partners, LLC v. Salton, Inc., et al.* "Defendants' Amended Opposition to Plaintiff's Ex Parte Application for Temporary Restraining Order and Order to Show Cause Re Preliminary Injunction"; Dated Aug. 1, 2001; (30) Pages.

Wytsma, et al., *Advantage Partners, LLC v. Salton, Inc., et al.* "Supplemental Opposition to Plaintiff's Ex Parte Application for

Temporary Restraining Order and Order to Show Cause Re Preliminary Injunction”; Dated Aug. 1, 2001; (23) Pages.

Hatter, Jr., *Advantage Partners, LLC v. Salton, Inc., et al.* “Temporary Restraining Order”; Dated Aug. 13, 2001; (3) Pages.

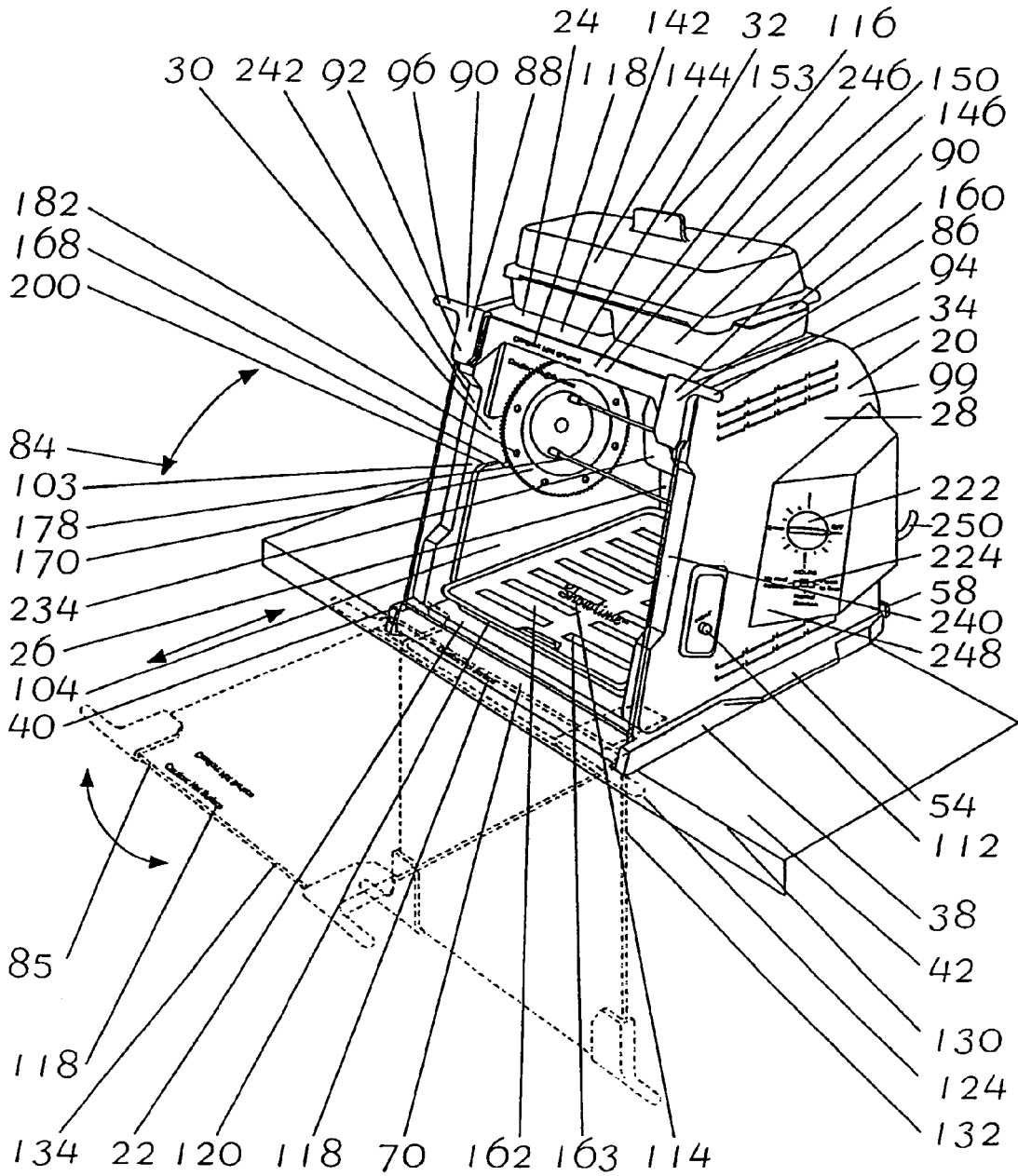
Wytsma, et al., *Advantage Partners, LLC v. Salton, Inc., et al.* “Defendants’ Opposition to Plaintiff Advantage Partners’ Request for Preliminary Injunctive Relief”; Dated Aug. 17, 2001; (26) Pages.

Dorman, et al., *Advantage Partners, LLC v. Salton, Inc., et al.* “Reply Brief in Support of Plaintiff’s Application for Preliminary Injunction”; Dated Aug. 22, 2001; (26) Pages.

Dorman, et al., *Advantage Partners, LLC v. Salton, Inc., et al.* “Memorandum of Points and Authorities in Support of Motion for Preliminary Injunction Against Defendant Salton, Inc. for Infringement of the 390 Patent”; Dated Oct. 22, 2001; (31) Pages.

Sigale, et al., *Advantage Partners, LLC v. Salton, Inc. et al.* “Defendant Salton, Inc.’s Opposition to Plaintiff Advantage Partners LLC’s Motion for Preliminary Injunction”; Dated Oct. 29, 2001; (33) Pages.

* cited by examiner



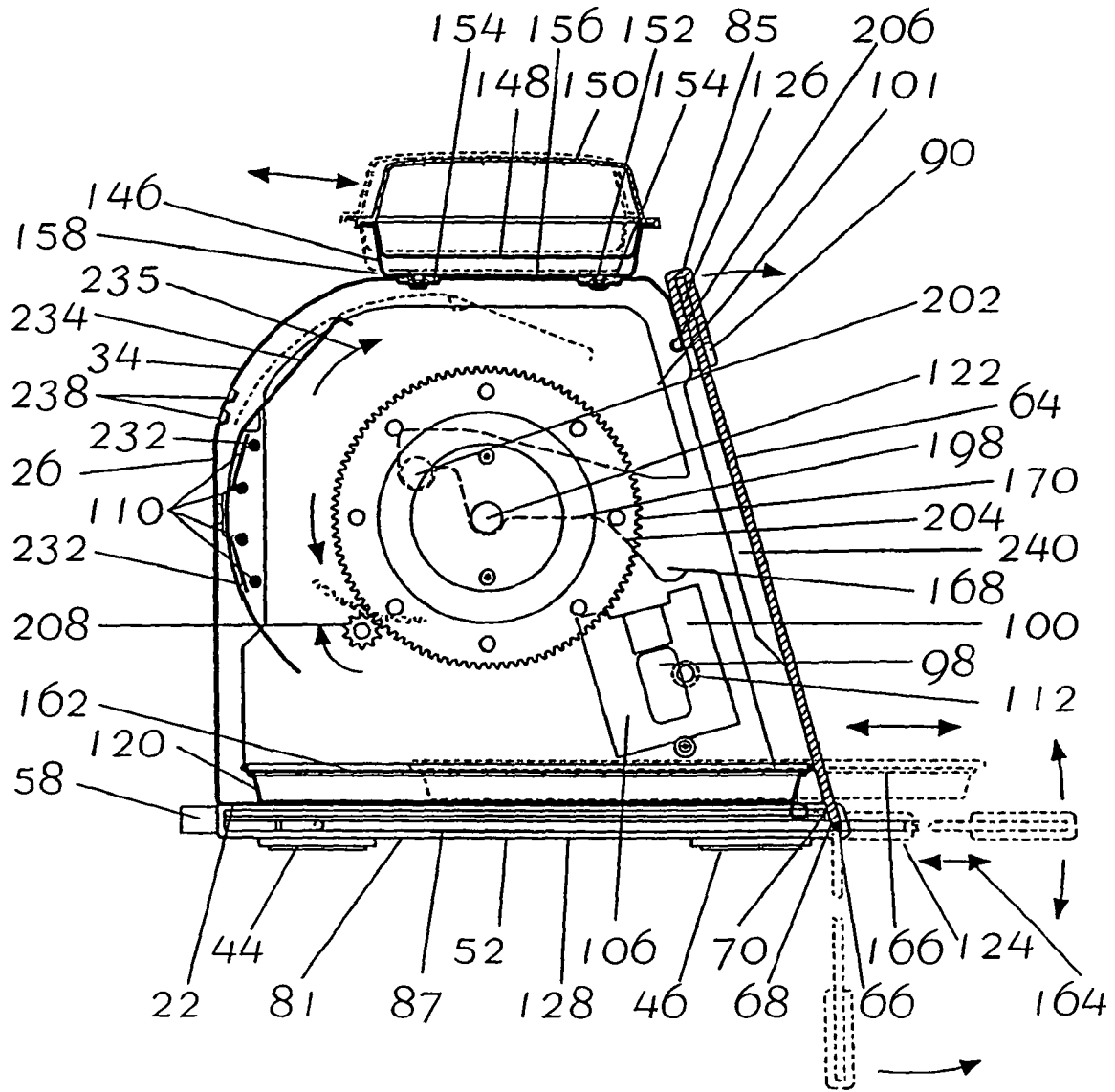


Figure 2

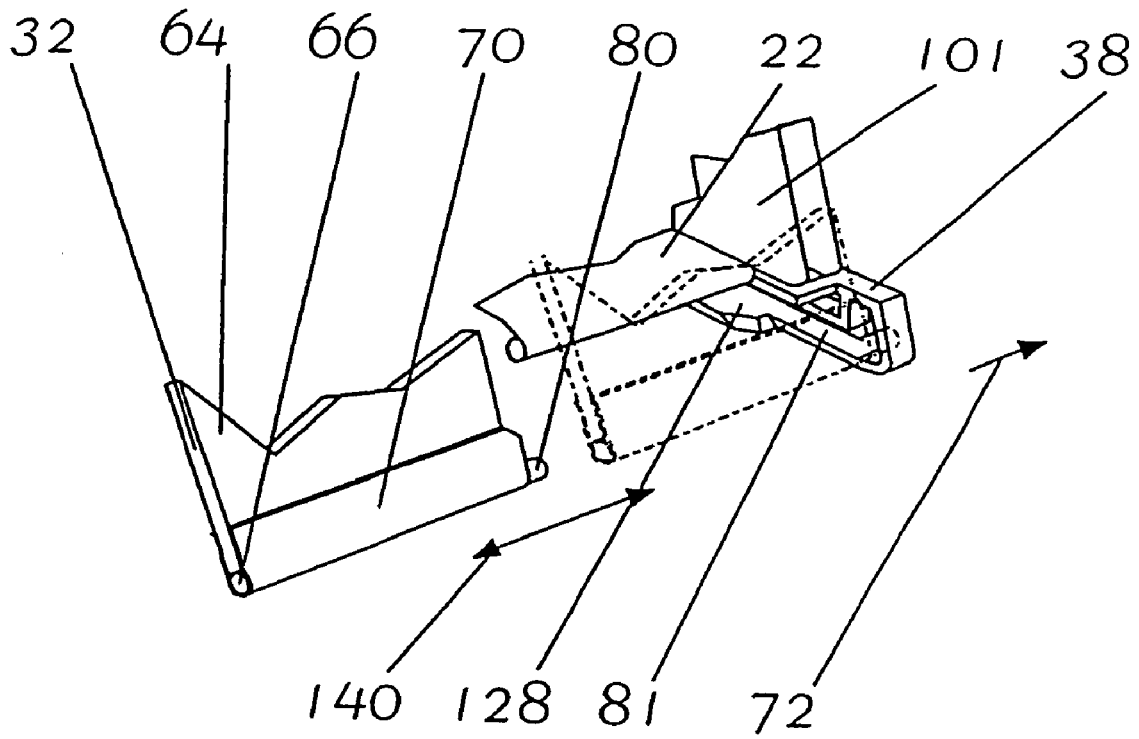


Figure 3

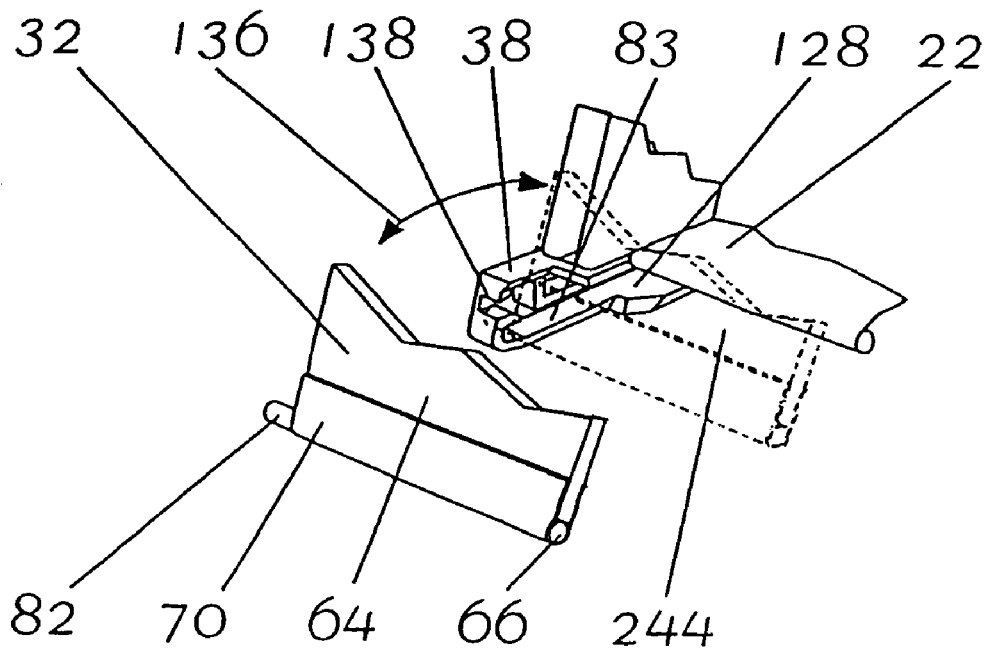


Figure 4

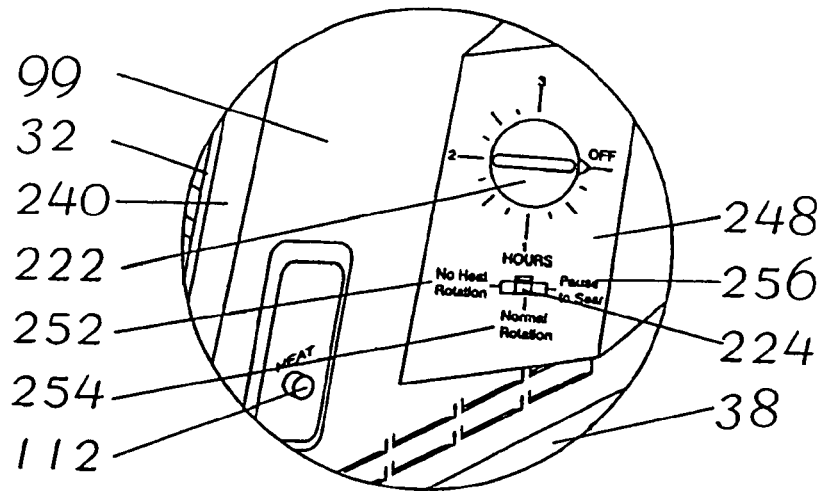


Figure 5

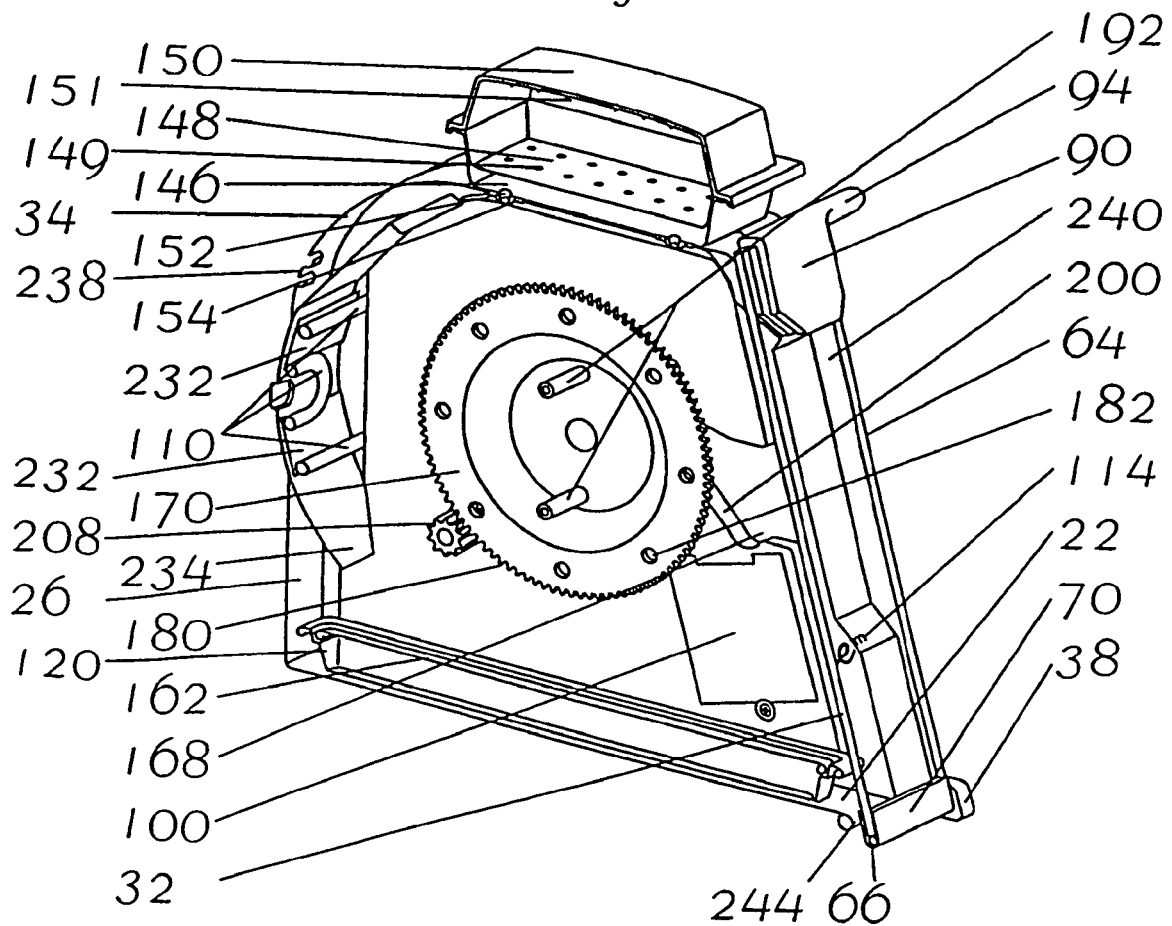


Figure 6

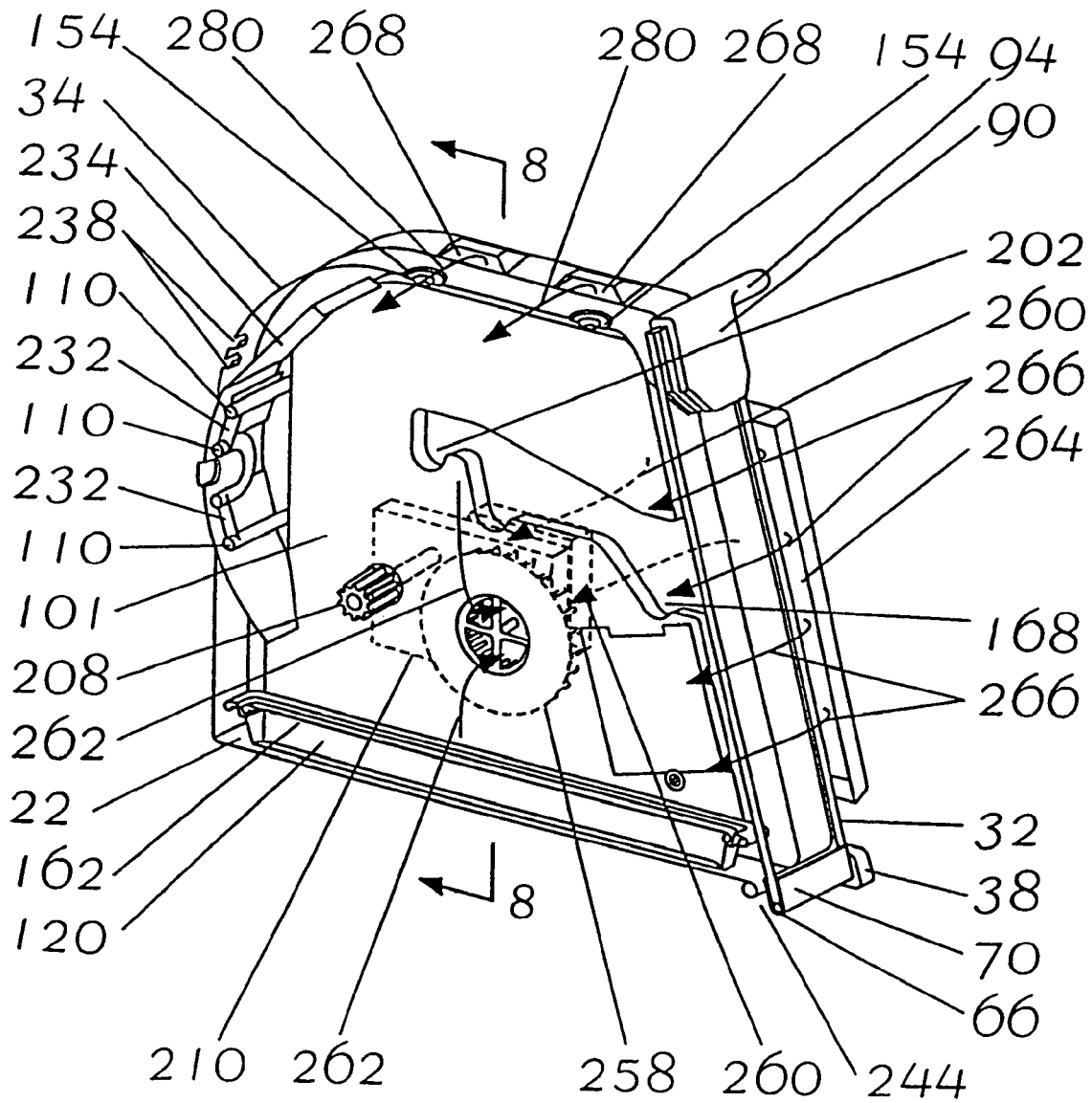


figure 7

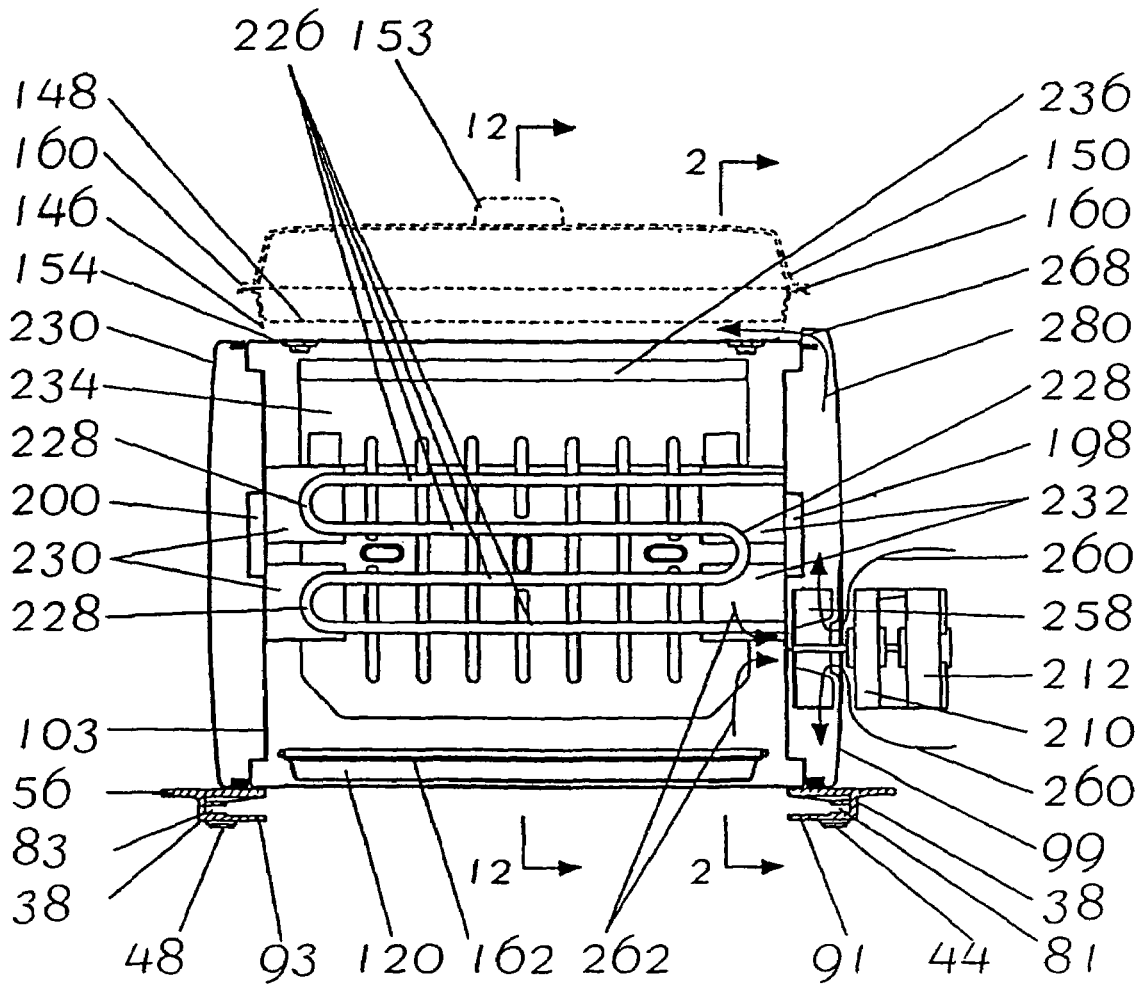


figure 8

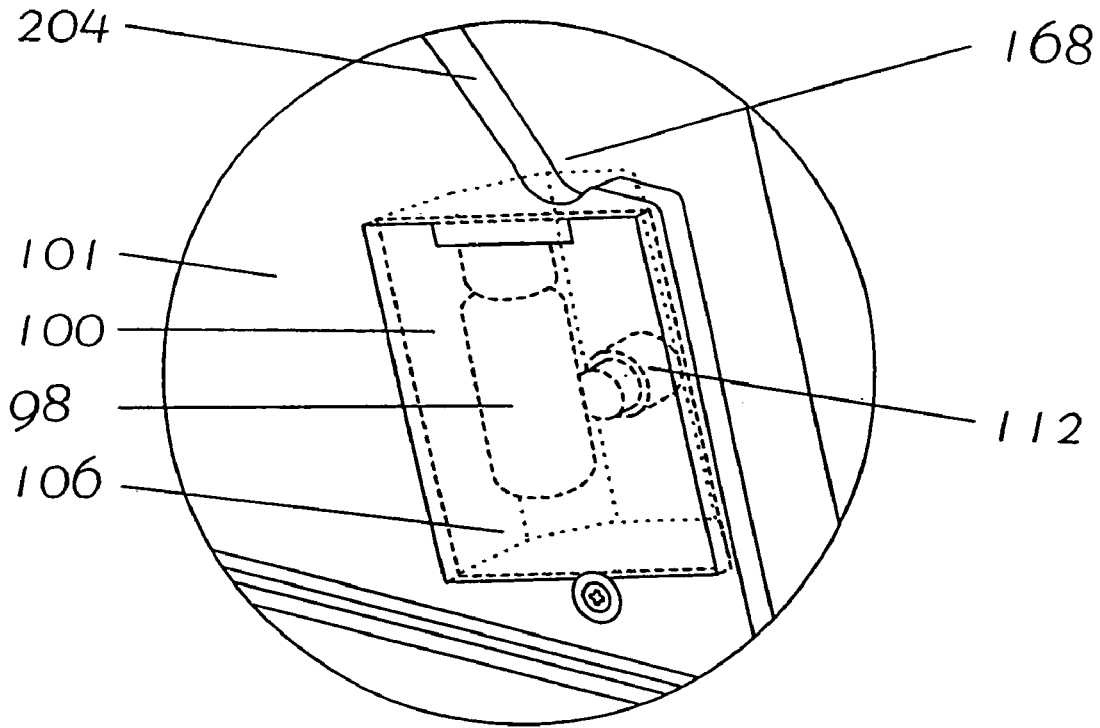


Figure 9

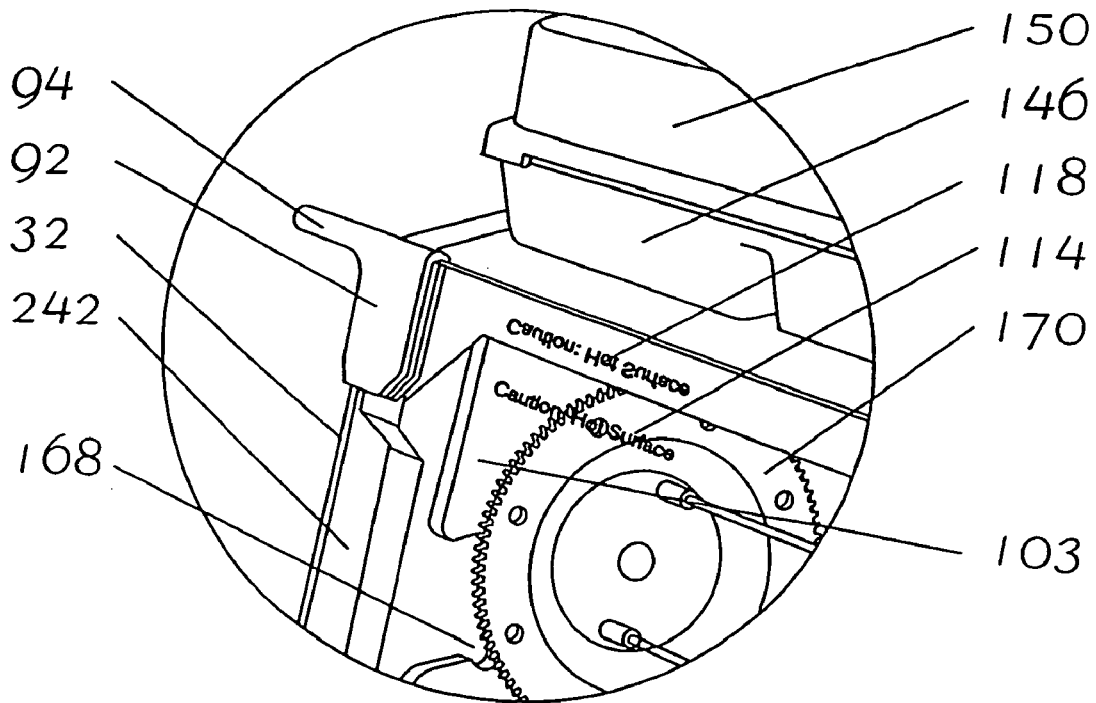


Figure 10

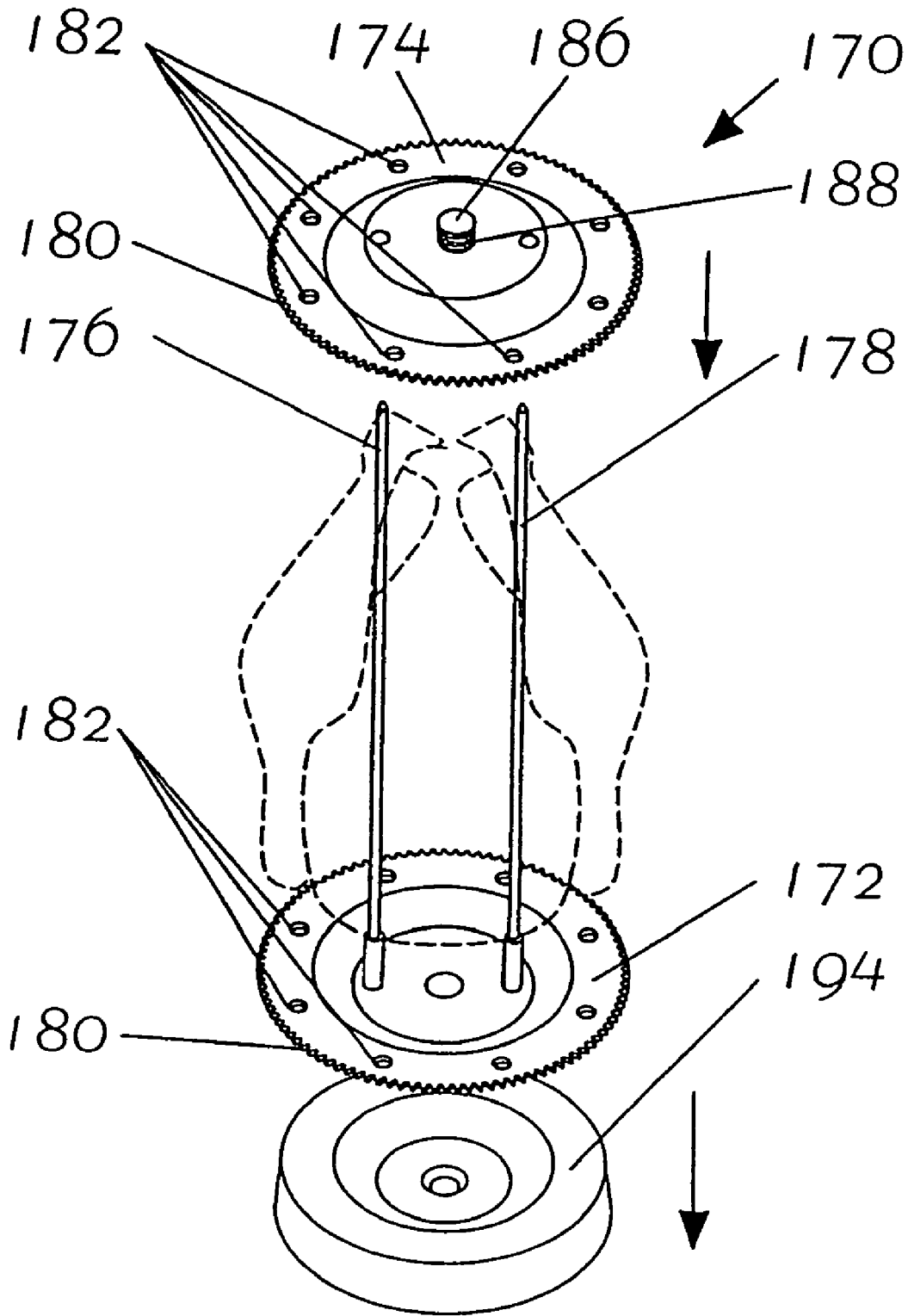


Figure 11

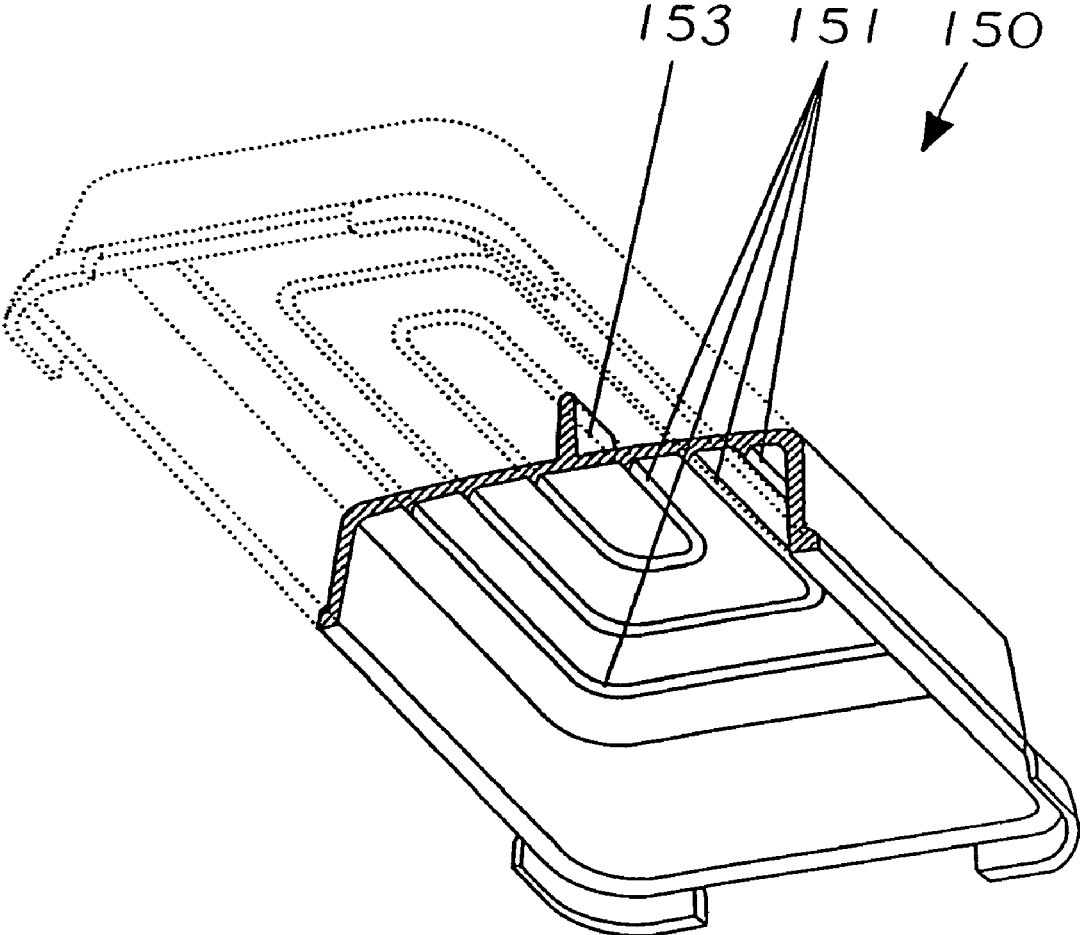


Figure 12

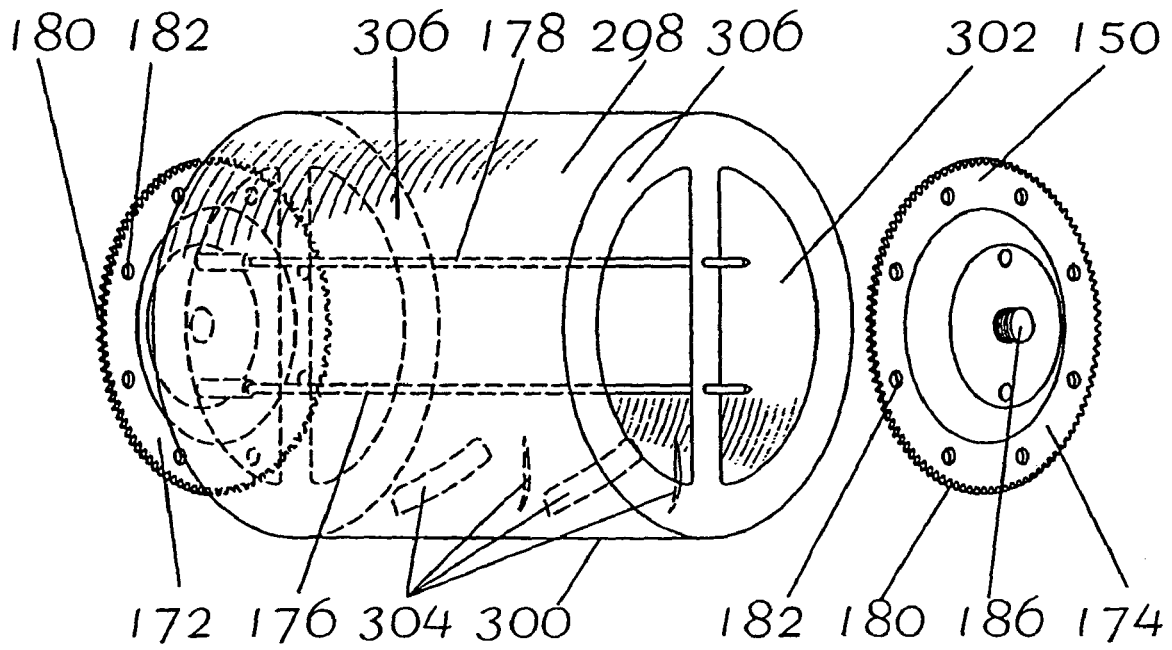


Figure 13

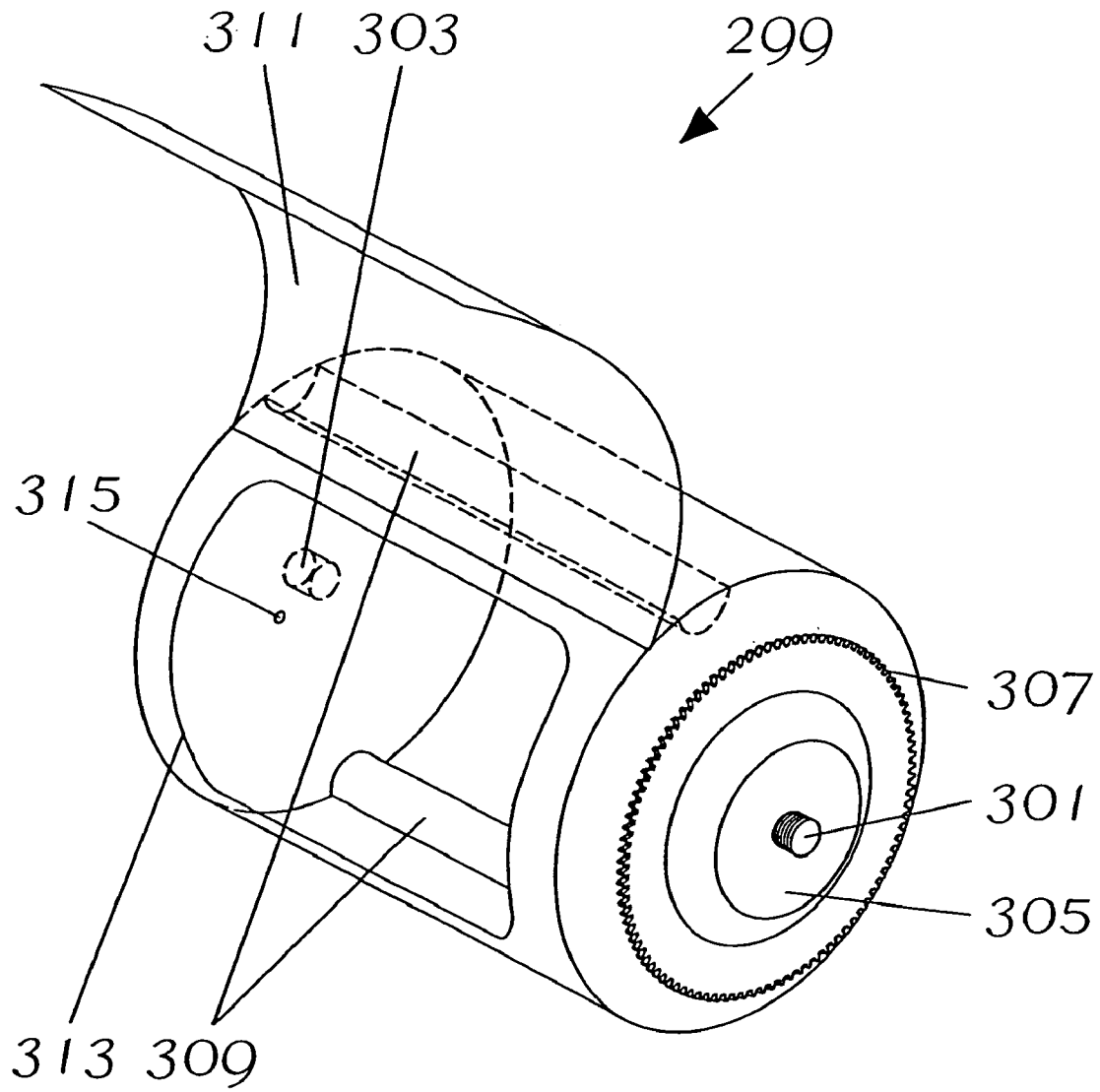


Figure 13 A

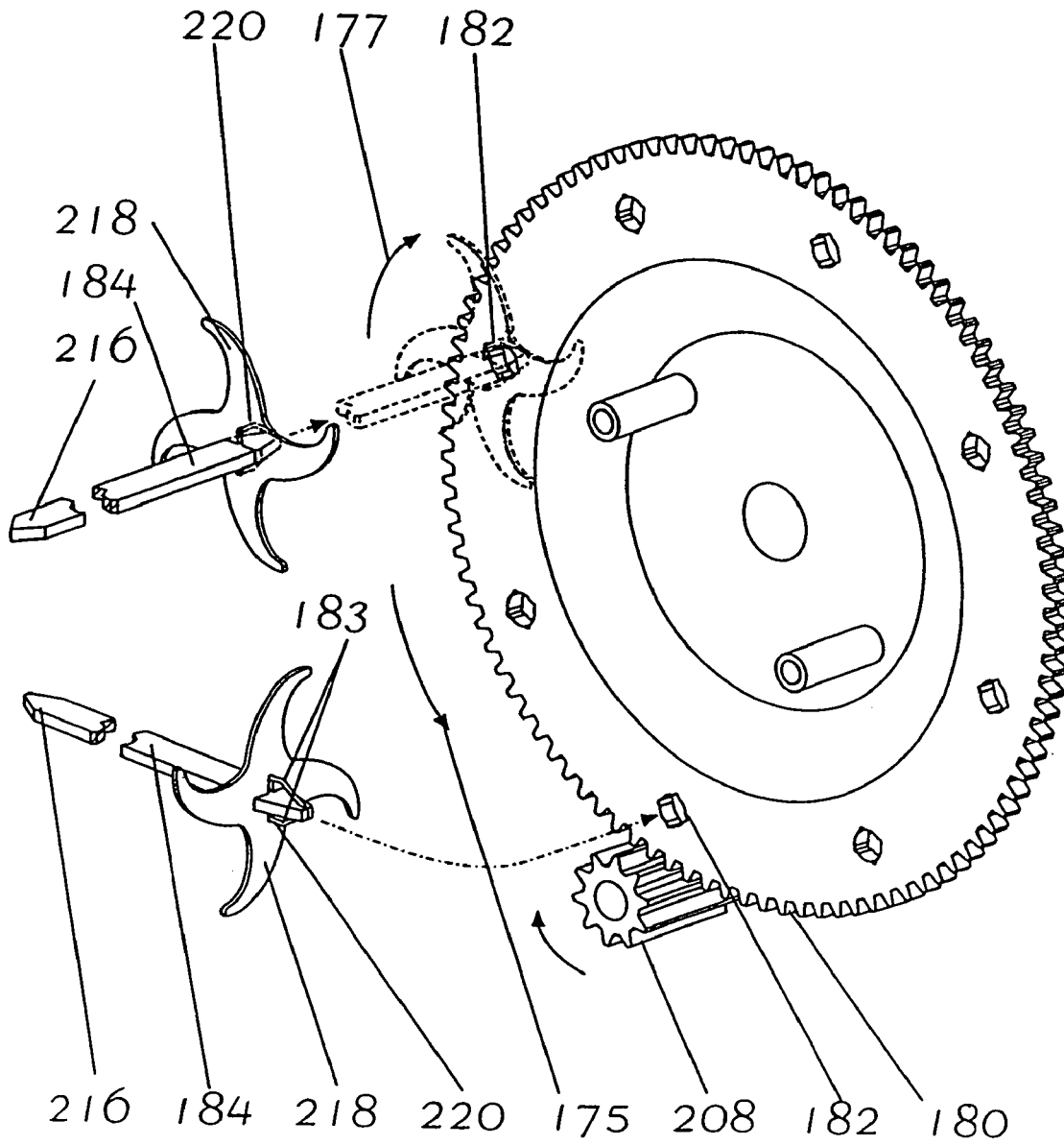


Figure 14

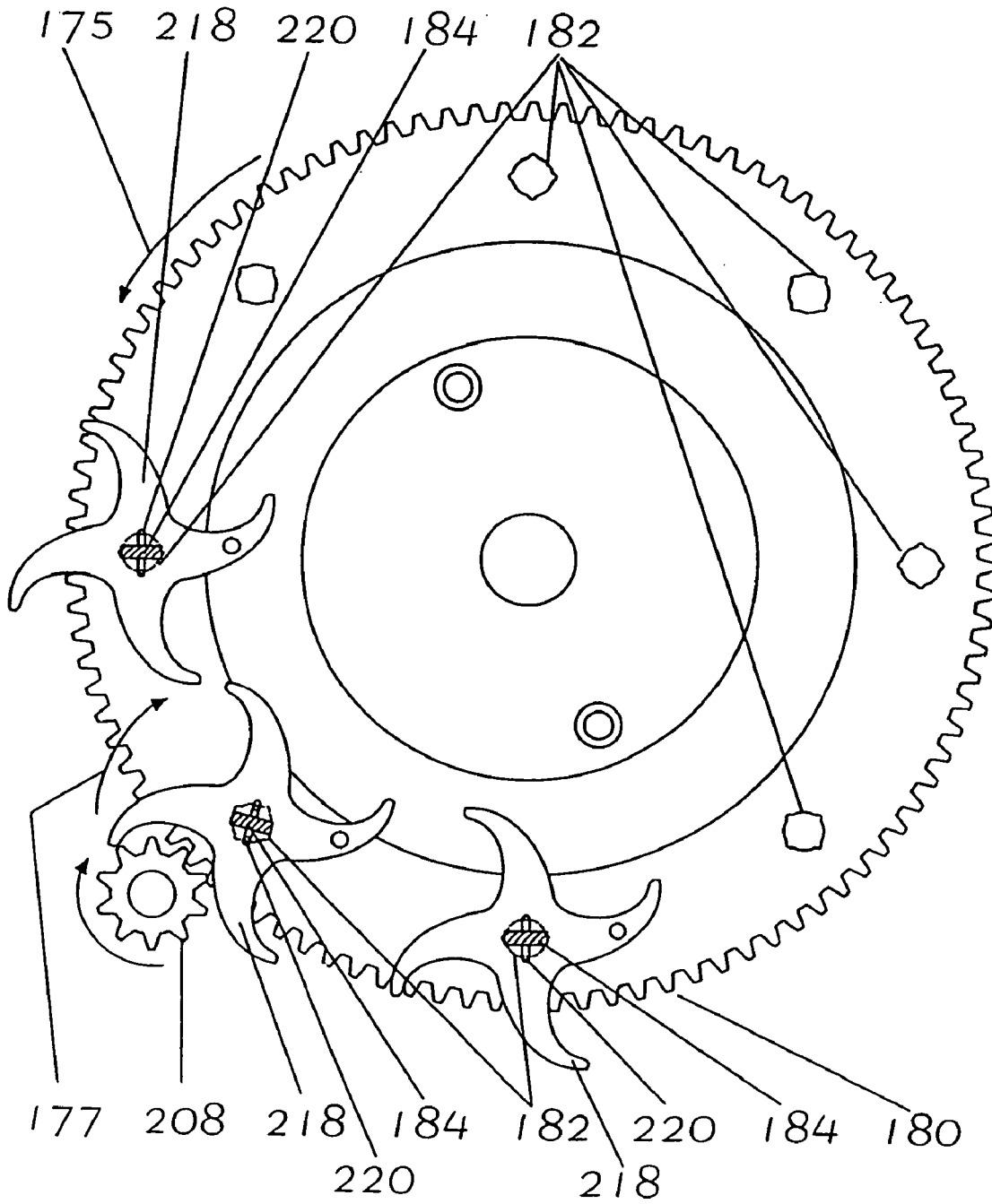


Figure 15

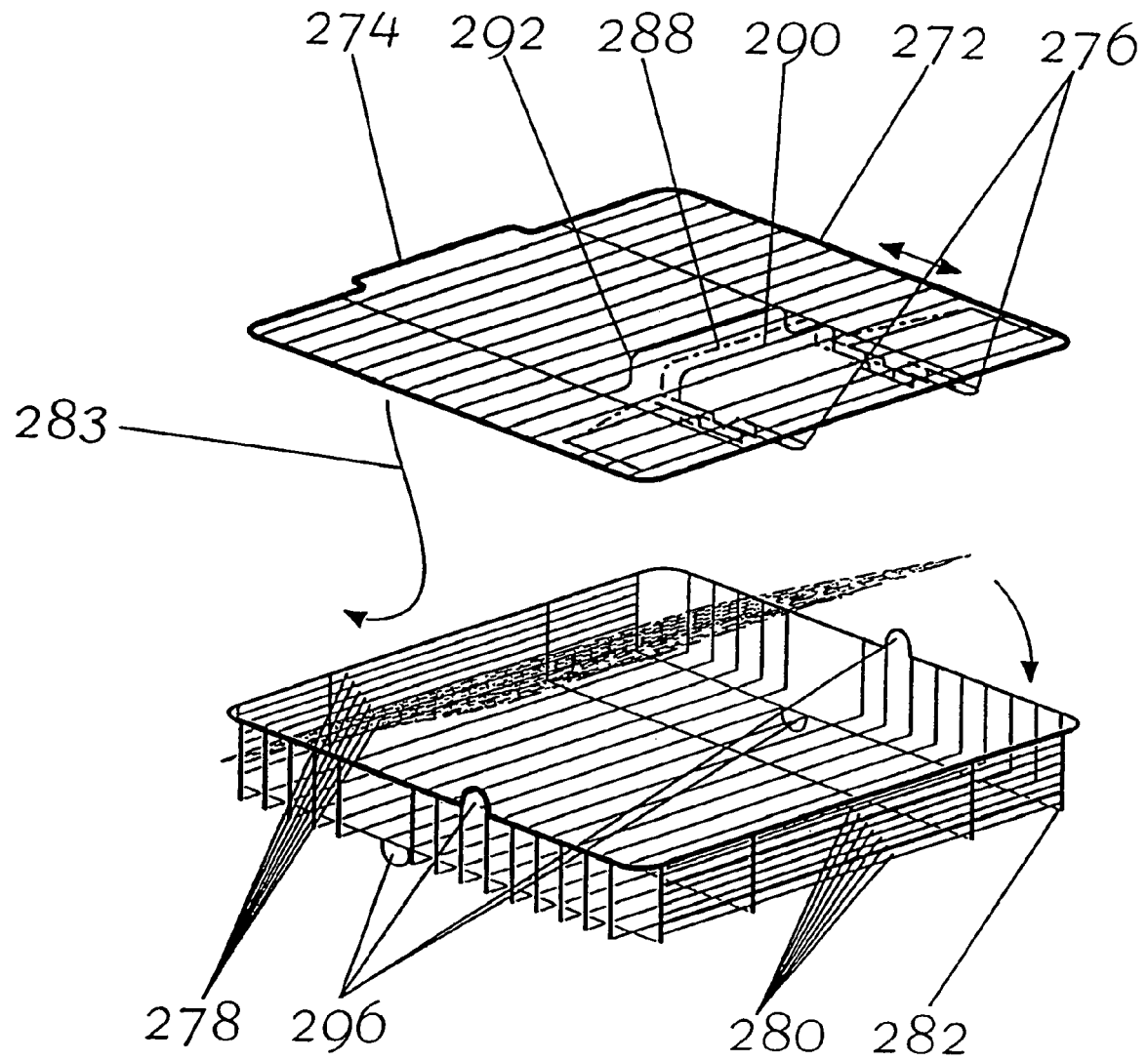


Figure 16

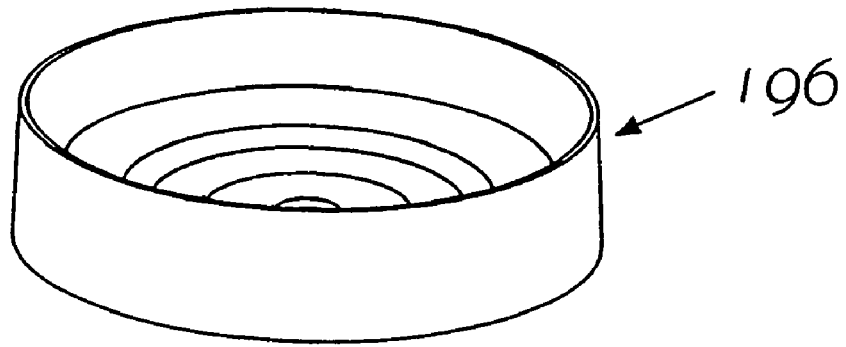


Figure 18

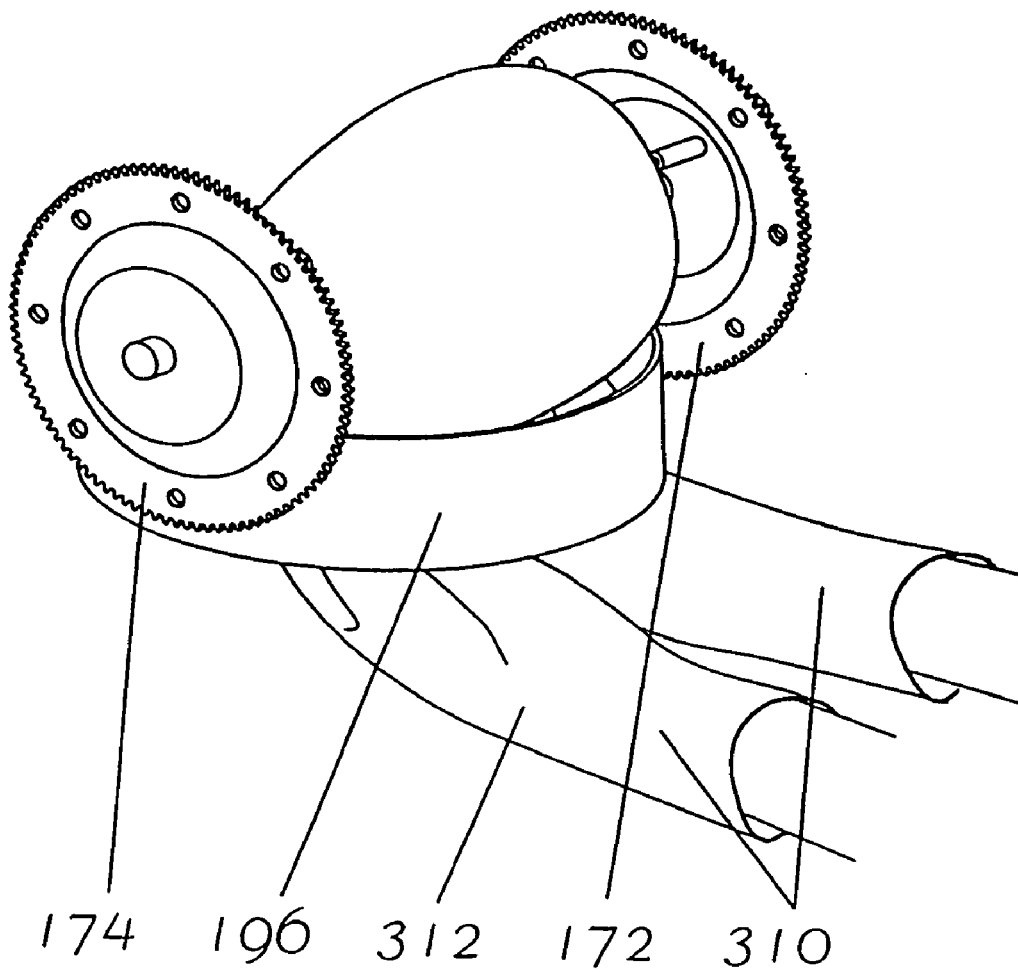


Figure 19

SPIT ASSEMBLY SUPPORT BASE

FIELD OF INVENTION

The present inventions are directed toward cooking devices and in particular toward enclosed horizontal rotisserie countertop cooking devices and their accessories.

BACKGROUND OF INVENTION

A rotisserie is defined by Webster's Dictionary as "an appliance fitted with a spit on which food is rotated before or over a source of heat".

Rotisserie cooking, particularly on traditional horizontal spits, is considered to be among the healthiest ways of preparing foods. Unlike other cooking methods, unhealthy grease and oil are allowed to drip off all sides of the food while it is being cooked. Other cooking methods allow grease and oil to settle into the top of the foods.

Rotisserie cooking is also among the most tasty methods of cooking. Contrasted with other cooking methods, moisture while cooking doesn't settle to the bottom of the food, allowing the top to dry out. Taste is enhanced too because foods, and particularly meats, self-baste during the rotisserie cooking process. This self basting both seals in flavor and moisture, and simultaneously adds flavors to the outside of the food being cooked.

Rotisserie cooking is also among the easiest methods of cooking. Rotisserie foods require little or no seasonings to add flavor for reasons just mentioned. And, unlike many other methods of cooking, rotisserie cooking requires no, or virtually no, attention during the actual cooking process.

Among the most popular rotisseries in today's U.S. marketplace are those fitted to outdoor grills. Generally these have a gear reduced electric motor powering a single rod horizontal spit over a charcoal or gas fired heat source, with either an open-air or enclosed oven design.

These units have their shortcomings, particularly during inclement weather, or when it is very hot or very cold, or when flies, ants or yellow jackets are around, or when its windy, etc.

Models among these units which have enclosed ovens in which rotisserie cooking is performed, usually have no internal light and no window or only a small window to view the food while its being cooked. Such construction makes it difficult to check cooking progress.

And opening the doors on these enclosed oven units generally lets out the hot cooking air which in turn slows cooking and makes gaging cooking times even more difficult.

And cooking results can be unpredictable on these units, particularly on charcoal fired models due to variances in the heat source and outside air.

The exteriors of these units generally get very hot and thus present safety considerations which may require warning labels and extra caution on the part of the users.

Charcoal grills have additional inconveniences of having to start and maintain their hot coals.

Starting charcoal fires or using bottled or other forms of gas may also present safety hazards.

And hot grease dripping into glowing charcoal, gas flames or onto hot electric coils may flare up.

In addition, the single rod spits used on most of these rotisseries may be difficult to use and may not do an adequate job of supporting the food being cooked.

Another popular rotisserie type in the U.S. market is the enclosed countertop rotisserie having a vertically rotating

spit. These typically have limited capacity, such as being able to cook only a chicken weighing five pounds or less. Such capacity may be unsuitable for families or for use at parties.

Also, many of these units have small door openings and hot oven walls which make it difficult to insert and remove food.

And usually when the door is opened it swings to one side where it is still in the way of loading or unloading foods, especially when the door is hot.

And because these units rotate foods about a vertical axis, the top half of the food usually becomes dry even when the chef takes the inconvenient trouble to regularly baste.

And there are usually no provisions for putting smaller foods closer to the heat source where they might cook faster.

Typically these units have very hot exteriors which may present safety hazards requiring warning labels and extra user care.

Another rotisserie type becoming popular in the U.S. is the countertop toaster oven with horizontal rotisserie spit.

These typically have capacity limitations similar to those found on countertop rotisseries with vertical spits. They combine these limitations with the difficulty of use of outdoor rotisseries with their inadequate, awkward and limited use single rod spits.

Many of these countertop toaster ovens also present fire safety and smoke hazards from heat rods which are directly next to grease drip pans.

Most of these units have tight door openings and small oven cavities which make it difficult to insert and remove foods, particularly when the units are hot.

And many of these units have thermostatically controlled heating elements which cycle on and off and thus lengthen rotisserie cooking time. Rotisseries are most efficient when they have a constant radiant heat source. A constant source of heat, however, requires a method of efficiently removing heat from the cooking cavity which these units typically don't possess. Without efficiently removing heat, rotisserie oven interiors may overheat.

These units also typically have small door windows and little or no interior lighting which makes it difficult to view cooking progress.

And their spits are very difficult to maneuver into place and pull out of the oven, both due to the small oven cavities and because of poor mounting design. This is particularly true when the oven is hot.

In addition, when the doors open on these units, they generally swing down or swing to one side where they are in the way of loading and unloading food, particularly when the doors are hot.

And their doors are generally complicated in construction, typically having a small piece of glass framed with several pieces of metal, the entire assembly which is then permanently hinged to the cooking cavity.

These units too generally have no means to bring smaller foods closer to the heat source where they might cook faster.

Additionally, most rotisseries on the market today have several shortcomings in common.

They are usually limited as to what they can cook. Small foods or foods that can't be skewered may not be mountable for cooking. Even where baskets that fit on the spits are available, they are difficult to use and generally do a poor job of holding some types of food.

Next, cleanup is very difficult on most units. This is because few components can be removed for cleaning, and areas which require a lot of cleaning may be difficult to access, as an example, behind the heating elements.

3

Most rotisseries can only rotisserie cook. They can't steam or heat other foods simultaneously while rotisserie cooking. This is important because most people like vegetables or other side dishes to accompany their rotisserie cooked foods.

Most rotisseries occupy a large amount of space. This is particularly detrimental for indoor units where kitchen space may be at a premium.

And few current rotisseries adequately display the food being cooked which, with rotisserie cooking, can be a taste tempting show in itself.

BRIEF DESCRIPTION OF THE PREFERRED EMBODIMENT

A preferred embodiment of the present inventions comprises a countertop resting box-like enclosure housing a safety rear mounted heating element and a power rotated dual rod spit assembly.

The gear driven spit assembly may be easily inserted and removed straight into and out of the enclosure without need for angling or coupling the assembly to a power drive socket.

The spit assembly may also be mounted at various distances from the heating element to decrease cooking times.

The open front of the enclosure is from time to time covered by an inclined glass panel door which may be opened in various ways to facilitate food insertion into and removal from the enclosure, and which may be easily removed for cleaning or other purposes.

The embodiment's design makes efficient use of valuable counter space by recessing back and raising off the countertop its controls.

A contained light as well as room light emitted through the inclined glass door illuminate the enclosure's interior to make the rotisserie cooking into a taste tempting show.

Two countertop supported sizes for the embodiment are suggested, one for larger families and entertaining, and the other for small families and singles.

Cooking times are decreased and manufacture simplified by the embodiment heating element remaining on constantly during the cooking process.

Maintenance is minimized by various embodiment parts being removable for cleaning including a cleaning shield located behind the heating element, the glass door, and a drip pan.

A variety of foods may be cooked using the spit and accessories that attach to the spit. Such accessories include wire baskets and a rotating stir fryer.

Foods may be cooked on top of the embodiment as well using an included warming tray and an inserted steaming tray with cover.

Grease-tight rotisserie/barbecue gloves make food handling easier and safer, as can also be said for a spit support platform which supports the spit assembly for food mounting and carving.

Self-rotating kabob rods cook kabobs on all sides evenly and allow for increasing rotisserie capacity by increasing the length of rotating rods available for rotisserie food mounting.

DESCRIPTION OF FIGURES

FIG. 1 is a perspective view of a preferred embodiment of the present inventions showing phantom lines for various glass door positions.

4

FIG. 2 is a section view of the preferred embodiment shown in FIG. 1 as indicated in FIG. 8.

FIG. 3 is a broken out perspective view of the front lower right corner of the preferred embodiment shown in FIG. 1 showing in phantom lines how the glass door is mounted.

FIG. 4 is a broken out perspective view of the front lower left corner of the preferred embodiment shown in FIG. 1 showing in phantom lines how the glass door is mounted.

FIG. 5 is an enlarged section of FIG. 1 showing details of the timer, control switch, heater indication light and the vents in the side wall.

FIG. 6 is a perspective view of the section shown in FIG. 2.

FIG. 7 is the same perspective view shown in FIG. 6 but with the spit plate removed and an alternative fan activated heat removal and cabinet cooling system installed.

FIG. 8 is a section taken through the alternative fan activated preferred embodiment shown in FIG. 7 as indicated in FIG. 7.

FIG. 9 is a detailed perspective view of the light used to illuminate the cooking interior of the preferred embodiments shown in FIGS. 1 through 6 with the translucent red lens shown in dotted lines.

FIG. 10 is an enlarged detail of FIG. 1 showing in greater detail the upper left corner of the preferred embodiment shown in FIG. 1.

FIG. 11 is a perspective view of a preferred spit assembly including a spit support platform.

FIG. 12 is a sectioned perspective view taken from below of the lid used on the warming/steaming tray unit showing ribbing used to prevent uncontrolled dripping of condensed liquids.

FIG. 13 is a perspective view of the spit assembly shown in FIG. 11 mounting a rotary cooking container.

FIG. 13A is a perspective view of an alternative rotary cooking container to the one shown in FIG. 13 but which does not require a separate spit assembly in order to operate.

FIG. 14 is a broken perspective section of a kabob rod showing with phantom lines how it mounts into the spit plate.

FIG. 15 is a plan side view of the spit plate and kabob rod shown in FIG. 14 showing how the kabob rod is turned by the drive gear when the spit plate rotates.

FIG. 16 is a perspective view of a food cooking basket showing in phantom lines how the lid for the basket is mounted.

FIG. 17 is a perspective view of the food cooking basket shown in FIG. 16 with food contained within the basket and the basket mounted on the spit assembly.

FIG. 18 is a perspective view of an alternative spit support platform.

FIG. 19 shows the alternative spit support platform shown in FIG. 18 being used to support spit mounted food including use of gloves specifically designed for use in rotisseries.

GENERAL DESCRIPTION OF THE PRESENT INVENTION

A preferred embodiment utilizing the present inventions comprises a metal enclosure 20 including an essentially horizontal metal floor 22 and metal roof 24, a generally vertical metal back 26, and two essentially vertical side walls including a double paneled right side wall 28 and a double paneled left side wall 30, and an inclined glass front door 32. A curved metal section 34 containing louver vents 238 joins the generally vertical metal back 26 to the essentially horizontal metal roof 24.

Two horizontal front-to-back running rod-like side rails **38 40**, one located below the double paneled right side wall **28** and one disposed below the double paneled left side wall **30**, support the metal enclosure **20** and raise it off a countertop **42** or flat surface on which it might rest. Four rubber feet **44 46 48** located on the bottom **52** of the side rails **38 40** keep the rails **38 40** from scratching countertops **42** and help prevent the embodiment from skidding.

The side rails **38 40** have lifting handles **54 56** projecting from their sides, one **54** projecting rightward from the right side rail **38**, and one **56** projecting leftward from the left side rail **40**. These lifting handles **54 56** allow the embodiment to be lifted and carried.

The side rails **38 40** also incorporate two cord winding projections **58 60** extending rearward, one **58** from the back of the right side rail **38** and one **60** from the back of the left side rail **40**. These cord winding projections **58 60** serve to wrap the cord for shortening its length, or for storing the cord while carrying the embodiment or during storage, or for other reasons. The cord winding projections **58 60** also keep the back **26** of the embodiment from directly contacting a vertical back wall.

The glass front door **32** is essentially a single flat panel of glass **64** with a round steel axle rod **66** held along its lower edge **68** by a "U" shaped channel **70** which is silicone glued to both the lower edge **68** of the panel of glass **64** and the axle rod. This axle rod extends outward **72 74** from both lower corners **76 78** of the panel of glass **64**.

The rails **38 40** provide tracks **81 83** which engage and support the two ends **80 82** of the round steel axle rod **66** which extend horizontally from each lower corner of the lower edge **68** of the glass front door **32**, and this engagement with these tracks **81 83** controls movement of the glass front door **32** to pivot downward **84** from the door's closed position **85** and to slide under **87** the metal enclosure

20. In the upper right corner **86** of the panel of glass **64** and the upper left corner **88**, there are two handles **90 92**, one for each corner **86 88**, which have rod-like grips **94 96** which extend horizontally outward **72 74** in opposite directions. By making the grips extend horizontally instead of vertically, the overall height of the embodiment is minimized. This may be particularly advantageous in placing the embodiment below over counter cabinets or other overhead objects. The handle geometry is such that either handle **90 92** or both handles **90 92** may be easily used to grip and open or close the glass door **32**, or slide it **32** under **87** the metal enclosure **20** or hold the door for other reasons such as removal.

The inclined glass door **32** may be held closed **85** by gravity alone, requiring no other latching mechanism. Thus, when compared to cooking enclosures having latches, this preferred embodiment door construction generally: reduces required assembly parts, simplifies manufacturing, makes manufacturing tolerances wider, and makes user operation easier and more reliable.

When compared to a vertical glass door, the inclined glass door **32** also typically permits more ambient light to enter the cooking cavity and allows viewing of food being cooked from a broader range of vertical angles, thus making viewing of the food being cooked easier and more convenient. This in turn makes it easier to determine cooking progress and turns cooking of rotisserie food into an entertaining and taste tantalizing show.

A light **98** mounted between the panels **99 101** of the double paneled right side wall **28** introduces additional light into the cooking cavity **104** and further adds to the food viewing advantages just stated. This light **98** has a frosted

translucent glass cover **100** which is in a contiguous plane with the interior wall **101** of the double paneled right side wall **28**. This cover **100** separates the light bulb **98** from the cooking cavity **104**. The light bulb **98** has a shiny metal reflector **106** behind it which backs onto the outside wall **99** of the double paneled right side wall **28**. The light **98** is wired to come on any time the embodiment's heat coil **110** is on.

A translucent red colored lens **112** penetrates the reflector **106** located behind the light bulb **98** and penetrates the outside panel **99** of the double paneled right side wall **28**. Light shines through this red colored lens from the light **98** whenever the light bulb **98** and thus the heat coil **110** is on. This red colored lens **112** is visible on the outside of the right side wall **99** and gives a clear visible indication of when the heat coil **110** is operating. Using a single light **98** to both illuminate the interior of the cooking cavity **104**, as well as give indication on the outside of the embodiment of when the heat coil **110** is operating, cuts down on required parts, simplifies embodiment construction, and increases embodiment reliability. Such a operation warning light may also meet the requirements for an "on" indicator as set by safety regulatory bodies such as Underwriters Laboratories. The lens color may also be changed, as an example to green, to match foreign safety standards such as those established by TUV in Germany.

The glass door **32** is silk printed **114 118** with trademark, decoration and safety markings. Such markings **114** may be printed in translucent inks which may be back lit by illumination from the light **98** mounted into the double paneled right side wall **28**. Such glowing back lit markings **114** may be thus made to be much more visible and dramatic, especially in dark rooms, than similar common unlit markings.

Markings **114** on the panel of glass **64** may be placed to block glare from light **98** mounted into the double paneled right side wall **28** from shining into viewer's eyes thus making the embodiment more pleasant to look at due to less emitted light glare.

Markings **118** on the door **32** may match the color of the enclosure door **32** frame **116** which backs portions of the glass door **32** when the door **32** is closed **85**. Such markings **118** when viewed against the background of the like colored enclosure frame **116** when the door **32** is closed **85**, may be virtually invisible. When the glass door **32** is lowered **84**, however, the markings **118** may become very visible. Thus a warning marking such as "Caution—Hot Surface" **118** may be printed to appear mirror imaged and upside down over when it is virtually invisible while the door **32** is closed **85** and the marking **118** is displayed against the like colored frame **116** background. When the door **32** is lowered **84** and opened **134 87**, however, the marking **118** may become clearly visible and appear in proper orientation, that is right side up and not mirror imaged, reading correctly "Caution—Hot Surface".

Any inclination past vertical may be used for the glass front door **32**, but an angle between five and twenty-five degrees has been found to be most advantageous for producing satisfactory door latching and food viewing, as well as for conserving valuable countertop space. Too flat a glass angle stretches out the bottom of the enclosure and consumes an unacceptable amount of countertop space. Too steep a glass angle won't allow proper door latching and provides a poor view of foods being cooked. Inclining the front of the enclosure increases the enclosure's footprint on a countertop and thus increases its stability and decreases any tendency to tip over or be accidentally moved.

The preferred embodiment may be constructed at any scale. However, two sizes have been found to be particularly advantageous. For large families, or for parties and entertaining an enclosure with cooking cavity **104** interior dimensions between eleven and thirteen inches wide side to side, ten to twelve inches from the cooking cavity ceiling **142** to the top of the drip pan **120**, as explained later herein, and ten to twelve inches deep from the inside of the glass door **32** to the front of the heating rods **110**, as explained later, as measured horizontally midway between the ceiling **142** and the top of the drip pan **120**. When constructed at this scale, the embodiment can cook a fifteen pound turkey, or two six pound chickens. Fifteen pound turkeys are considered among the largest turkeys commonly sold around Thanksgiving and Christmas. And six pound chickens are among the largest commonly sold popular chickens sold in US supermarkets. Thus such a size meets the needs of most large families or people who entertain.

A second advantageous size meets the needs of smaller families, people who live alone, or people with very small kitchens. For these markets, a cooking cavity **104** with interior dimensions between nine and eleven inches wide, seven to nine inches from the cooking cavity ceiling to the top of the drip pan, and seven to nine inches deep from the inside of the glass door **32** to the front of the heating rods is particularly advantageous. When constructed at this scale, the embodiment can cook a six pound chicken, or two three pound chickens. Three pound chickens are among the smallest commonly sold chickens. This size thus meets the needs of most smaller families or people who live alone.

The inclined glass front door **32** may rotate downward **84** and following such rotation to an essentially horizontal position **85**, slide under **87** the metal enclosure **20** with glass front door's **32** axles **80 82** engaging into the tracks **81 83** in the two front-to-back side rails **38 40**. In this slid-under position **87**, the top **126** of the glass door **32** is held off the countertop **42** by flat horizontal ribs **91 93** in the side rails **38 40**. Also in the slid-under position **87**, the glass door **32** is out of the way of foods being loaded into or removed from the cooking cavity **104**. This is particularly advantageous when the door **32** is hot and user contact with it might cause burns.

Alternatively, the enclosure **20** may be placed on the edge **30** of a countertop **42** and the glass door **32** may be rotated below the countertop **42** level **132** where it will also be out of the way of food loading and unloading.

As a third alternative, the glass door **32** may be opened **134** onto a countertop by being rotated down **84** from its closed position **85** to the countertop.

The glass front door **32** is also removable for cleaning, food loading, or other purposes.

As shown in FIGS. **3** and **4**, this removal is accomplished by moving the door's **32** left axle **82** out of engagement with the track **83** in the left side rail **40** by sliding the axle **82** through a slot **138** located in the front of the left side rail **40**. After this, the right axle **80** is pulled out of engagement with the track **81** in the right side rail **38** by moving the glass door **32** and the attached right axle **80** to the left **140**, away from the right rail **38**. Reinstalling the glass door **32** is done by reversing the above procedure.

Several advantages come from using what is essentially a single panel of glass **64** for the front door **32**. First, unlike most other framed glass constructions, the door **32** may be washed in a dishwasher, or sink, or immersed in liquid.

Second, when compared to doors which have framed glass, construction is generally: simpler, has fewer parts, is less expensive, and is lighter in weight for comparable

transparent viewing area. Appearance is also typically cleaner. And the viewing area is unsurpassed compared to most other constructions.

On top **142** of the metal enclosure **20** may rest a warming/steaming tray unit **144** comprising a lower heating pan **146**, an intermediate steaming tray **148** with holes **149** in its floor which rests down into the lower heating pan **146**, and a warming tray lid **150** which caps and encloses both the lower heating pan **146** and the intermediate steaming tray **148**.

This unit is supported by four frustum conical feet **152** projecting from near each of the four corners of the bottom of the lower heating pan **146**, each of the feet **152** which rests into its own two level inverted wedding cake shaped support indentation **154** located near each of the corners of the roof **24** of the metal enclosure **20**. Each foot **152** may rest in the lower most level of each such indentation **154** allowing direct contact between the roof **24** of the metal enclosure **20** and the floor **156** of the lower heating pan **146**; or each foot **152** may rest at the next level up of each indentation **154** providing an air space **158** between the roof **24** of the metal enclosure **20** and the floor of the lower heating pan **146**, thus lowering the temperature of the floor **156** of the lower heating pan **146** and the temperature inside the warming/steaming tray unit **144**. Such temperature control may be used in warming, cooking or steaming foods or in any combination of these functions or other functions—i.e. steaming vegetables and then keeping them warm.

The warming/steaming tray unit **144** may be used to warm, cook or steam foods, either simultaneous with rotisserie cooking or independent of it. And it may perform these functions either with or without the intermediate steaming tray **148** in place, and either with or without the warming tray lid **150** in place.

Handles **160** on either side of the heating pan **146** make it easy to lift the entire warming/steaming tray unit **144**, with or without the intermediate steaming tray **148**, and with or without the warming tray lid **150** in place. As an extra measure of convenience, the placement of the warming/steaming tray feet **152** is symmetrical both front to back and side to side thus allowing the user to place it **144** on top of the metal enclosure **20** with a given heating pan handle **160** on the right side or on the left side of the metal enclosure **20**.

Water may be placed in the lower heating pan **146** and the intermediate steaming tray **148** put in place to facilitate the steaming of vegetables or other foods.

When foods are being steamed or when moist foods are being heated in the warming/steaming tray unit **144**, droplets of water generally condense on the warming tray lid **150**. These droplets may present a safety hazard when the user lifts off the lid because the droplets may be hot and tend to run to the side of the lid **150** and drop onto the user when the lid is lifted and tilted. As shown in FIG. **12**, to help prevent this from happening, the lid **150** has several concentric "V" shaped ribs **151** on the underside of its top surface. When the lid **150** is lifted and tilted, water droplets on this surface begin to run to the side of the lid **150**. En route to the side of the lid **150**, most of the water droplets cross the concentric "V" shaped ribs **151** and drop safely back into the intermediate steaming tray **148** or lower heating pan **146**, thus preventing burns which might occur if the "V" shaped ribs **151** were not present and the hot water droplets dripped onto the embodiment user.

The warming tray lid **150** may be constructed of any of many suitable materials. It would be advantageous for it **150** to be translucent or transparent so cooking or steaming progress as well as the food being cooked could be observed without removing the lid **150**. Glass or plastics such as

polypropylene, polycarbonate, or Ultem™ from GE Plastics might be suitable for use in constructing the lid 150 as examples.

The warming tray lid 150 has a handle 153 in the center of its outside top surface to help in its use. This handle 153 is textured to help prevent slippage.

Within the metal enclosure 20, resting on its floor 22, is a drip pan 120 which mounts inside it, and is covered by, a grate cover 162. The drip pan 120 collects grease, oil, and liquid which come from the food being rotisserie cooked.

The grate cover 162 is a metal cover perforated with slots 163 which reduces splashing, and smoke, and flares from liquids from the rotisserie cooked foods splashing and hitting heat coils 110 and other hot surfaces, and diminishes the risk fire from hot grease and oil inside which has dripped from rotisserie cooking food into the drip pan 120 becoming overheated and igniting. The drip pan 120 and capping grate cover 162 may be pulled out 164 to facilitate their own cleaning, or the embodiment's interior cleaning, or for other purposes.

The grate cover 162 and underlying drip pan 120 both tend to get dirty during rotisserie cooking. In the preferred embodiment, both are covered on their upper sides with a nonstick coating similar to that used in nonstick fry pans. Such coating greatly reduces cleanup, particularly on the grate cover 162 which may get grease, oil and residue dripped on it while simultaneously being exposed to high heat from the heat coil 110 which bakes the drippings on.

As shown in FIG. 2, the drip pan 120 may be pulled out part way 166 to prevent grease and oil from dripping onto counter tops or the glass front door 32 when food is being prepared for cooking in the spit track rest position 168, as explained later, or when food is being removed from the metal enclosure 20 after cooking.

Adding to user convenience, the grate cover 162 and drip pan 120 are each square, thus allowing the user to place the grate cover 162 in the drip pan 120 with any given corner of the grate cover 162 resting in any corner of the drip pan 120, and allowing the drip pan 120 to be placed in the metal enclosure 20 with any of its four corners resting in any corner of the metal enclosure 20.

As shown in FIG. 11, the embodiment's spit assembly 170 comprises a first metal spit plate 172 and a second metal spit plate 174. The first metal spit plate 172 has two sharpened cylindrical spit rods 176 178 attached at right angles to it. This first metal spit plate 172 is circular in outline with gear teeth 180 on its periphery and eight evenly spaced essentially round kabob holes 182 penetrating it just inside of and adjacent to the gear teeth 180. These kabob holes 182 are for supporting kebob rods 184 as explained later.

The center of the first metal plate 172 is frustum conically indented away from the projecting attached spit rods with a stub axle 186 projecting from the back bottom center of the plate's 172 frustum conical indent.

The stub axle 186 has circular grooves 188 cut into its cylindrical periphery. These grooves 188 help to prevent squeaking from the stub axles rubbing against their support tracks 198 200, described later, when the spit assembly 170 is rotating.

The second metal spit plate 174 is the mirror image of the first metal spit plate 172 except in place of the two attached spit rods 176 178 it has two short spit rod support tubes 192 attached. These tubes 192 receive, and hold by an overlapping friction fit, the sharpened ends of the two spit rods 176 178.

Foods are secured to the spit simply by running one or both of the two sharpened spit rods 176 178 through the food

and then capping the rods by pushing the tubes 192 in the second spit plate 174 over the sharpened ends of the spit rods 176 178 projecting from the first spit plate 172. The food is then easily inserted into the embodiment as explained later.

The spit assembly 170 of the preferred embodiment has several advantages over other available spit assemblies. It's compact and efficient in the use of space both inside and outside the cooking cavity 104. Because the spit assembly 170 is placed straight into the cooking cavity without angling or sliding into a drive socket, and because no drive forks or other space robbing mechanisms are required to hold even large and heavy pieces of food, almost the entire length of the spit rods 176 178, which run almost the full width of the cooking cavity 104 from the interior left oven wall 103 to the interior right oven wall 101, may be used to cook food. Other available spit rods, because they must be angled into place and slid into a drive socket are far less efficient in cooking space utilization.

Also, with the spit rods 176 178 on the preferred embodiment there is no loss of space outside the cooking cavity 104 while foods are being loaded into or are being cooked in the cooking cavity 104. Other available spit rods have handles which project beyond their cooking enclosure and waste valuable counter space.

The spit assembly 170 on the preferred embodiment, as explained earlier, with its dual spit rod 176 178 design, holds foods more firmly than other single spit rod designs. This advantage means that even heavy and large foods rotate solidly with the spit assembly 170 and don't become loose and flop or fall off the rods 176 178. On other spit rod designs, foods tend to shift while rotating and become loose and fall off the spit rods when this looseness bores a hole through the food being cooked.

The spit assembly 170 on the preferred embodiment, as explained in more detail later herein, also integrates the mounting of self-rotating kabob rods into its design. Many other spit rod designs don't even plan for the mounting of non-rotating kabob rods.

And the spit assembly 170 on the preferred embodiment, as also explained in more detail later herein, also allows for the easy and solid mounting of other cooking accessories such as cooking baskets 270. Other spit rods designs may make no such provisions.

The spit assembly 170 on the preferred embodiment makes food mounting easy. The food is simply pushed onto the two relatively skinny and sharp spit rods 176 178, the second spit plate 174 slid into place, and the assembly, food and all, is placed directly into the cooking cavity 104. Other designs have thicker spit rods which are more difficult to shove through foods, and these designs may require hard to use accessories, such as mounting forks, to secure the foods from rotating independently of the spit while cooking, and placing foods into their cooking enclosures is more difficult, as explained in the next paragraph.

The spit assembly 170 on the preferred embodiment is easy and intuitive to load into the cooking cavity 104. The assembly 170 is simply shoved directly into the cooking cavity without angling or having to align its end with and slide it into a drive socket. Other designs with drive sockets or other complicated drive means are far more difficult to use.

And foods are easy to unload from the preferred embodiment's spit assembly 170. The assembly 170 is simply slide straight out of the cooking cavity 104, the second spit plate 174 easily removed, and the foods slid off the two rods 176 178. Other spit rods are difficult to remove from their cooking enclosures, some requiring the attachment of

handles or lifting devices, and/or angling to uncouple drive mechanisms, and may require the additional steps of removal of accessories, such as food mounting forks.

The spit assembly 170 on the preferred embodiment may be mounted closer to the cooking heat source 110 to speed cooking of smaller foods. Other spit rod designs don't offer this feature.

Cleaning of the spit rods 176 178 is enhanced by nonstick coating, similar to that used in nonstick fry pans, covering their surfaces which contact food during cooking. The ends of the spit rods may be left uncoated to facilitate the easy insertion of the rods 176 178 into the spit rod support tubes 192.

To facilitate food loading onto the spit assembly, a spit support base 194 is supplied with the preferred embodiment. This spit support base 194 can hold the first spit plate 172 with its spit rods 176 178 projecting directly upward. In this position, foods can be easily loaded onto the spit rods 176 178 by lowering the foods onto the pointed ends of the rods 176 178. In addition, the spit support base 194 can be used to help in serving. In this capacity, the support base 194, possibly after being placed on top of a plate, can hold foods skewered on the vertically disposed spit rods 176 178 while the food is being removed from the spit rods 176 178 or while the food is being carved.

A variant 196 of the spit support base 194 shown in FIGS. 18 and 19 expands the diameter of the support base 194 and allows the expanded diameter support base 196 to be used for all of the original 194 support base's functions plus it may be used as a serving plate for foods either not skewered or positioned on vertically supported spit rods 176 178. In addition, this larger variant 196 may eliminate any need for a plate when the support base is used as a serving platform holding the spit assembly 170 with its rods 176 178 disposed vertically.

As shown in FIG. 19, this spit support base variant 196 may also be used to help load and unload foods into and from the embodiment. Here, the support base 196 is placed under the food, and the support base 196 along with the food which it supports is lifted and moved to load the food into, or remove the food from, the enclosure 20.

Similarly, any dish shaped device might be used to help load and unload food to and from the enclosure 20. Such a shape is enhanced for this use if its perimeter is raised in a manner similar to that found on a soup bowl. Such a raised perimeter helps better support the foods being inserted into or removed from the enclosure 20 and more reliably holds liquids which may drip from such foods.

Either the original 194 or the variant 196 spit support base may be used to keep the spit assembly 170 from rolling on a countertop. Here, one of the spit plates 172 174 is placed into either an upright or inverted spit support base 194 196 resting on the countertop which thus prevents the spit assembly 170 from rolling by providing a stable indentation, i.e. either the top face or bottom face of the support base 194 196 resting flat on the counter, in which one of the round spit plates 172 174 may rest.

Because there are two spit rods 176 178, foods may be penetrated by both rods 176 178 and thus the foods may be securely held and prevented from spinning independent of the spit assembly's 170 rotation, or prevented from dropping off the spit assembly 170. This compares to conventional single rod spit designs which tear holes in food because all the food's weight is supported on a single rod. Foods supported on such single rods may break loose and fail to turn as the spit turns because of inadequate torsional support engagement between the spit and the food. Foods may also

fall off of single spit rods due to inadequate weight distribution and support, and because food movement not synchronized with the spit tends to tear holes in the foods which results in the foods tearing loose of the spit.

In addition, many single spit rods use clamped-on support forks positioned at each end of the spit rod supported food to compensate for food tearing and spinning independently of the spit assembly. These support forks frequently cause further problems by being difficult and inconvenient to install and remove as well as by shortening the length of food that can fit on the spit rods because of the space the support forks consume.

Once the spit 170 is fully assembled with the food skewered on the spit rods 176 178 and the tubes 192 projecting from the second metal spit plate slid over and capping the pointed ends of the spit rods 176 178 orthogonally projecting from the first metal spit plate 172, the spit assembly 170 is ready to be loaded into the embodiment enclosure 20.

The double paneled right side wall 28 and the double paneled left side wall 30 each contain an indented spit support track 198 200 on their interior panels 101 103. In the preferred embodiment, the spit support track 200 on the interior panel 103 of the left double paneled side wall 30 is a mirror image of the spit support track 198 on the interior panel 101 of the right double paneled side wall 28.

These two spit support tracks 198 200 engage the stub axles 186 on the spit plates 172 174 when the spit assembly 170 is slid into the enclosure 20. The tracks 198 200 allow the spit assembly 170, including any spit accessories or any food thereon, to slide in and out of the enclosure 20. In addition, each track 198 200 has three axle positioning indents 168 122 202 which can support and hold the stub axles 186, and thus the spit assembly 170 in specific track 198 200 locations.

The first 168 of these axle positioning indents 168 122 202 is located on each track 198 200 adjacent to the door 32 opening. This indent 168 is referred to as the rest position and has several functions. First, when loading or unloading food from the embodiment, it may be first rested in this position 168 where a better grip may be obtained on the food or where it simply may be rested. It also serves as the first location to catch the spit assembly 170 as it's being loaded into the embodiment, and the last location to catch the spit assembly 170 before it leaves.

It also serves as an area to prepare food. As an example, in the rest position 168 foods can be centered on the spit rod, or ties to secure the wings and legs on a chicken might be readjusted, or barbecue sauce can be brushed on a chicken or baby back ribs, or seasonings applied to other foods.

When the rest position 168 is being used for food preparation, it may be advantageous to pull the drip pan 120 and attached grate cover 162 to their part way out position 166, as explained earlier, to keep foods and preparations from dripping or dropping onto the countertop or glass door.

The rest position 168 on each spit support track 198 200 is backed by an upwardly inclined track portion 204. This inclined track 204, combined with the large open front throat of the track and rest position 168, makes it easy to catch the spit assembly 170 and hold it in the rest position 168 when it's inserted into the enclosure 20, and it makes it obvious that the spit assembly 170 has been caught in the rest position 168 when it is being removed from the enclosure 20.

The tracks' 198 200 lowered front portions allows foods to duck under the enclosure's roof 24 front overhang 206, thus allowing larger foods to be loaded into the enclosure 20.

The roof **24** front overhang **206** is necessary to give strength to the front of the roof **24**, and without lowering the front of the track, the size of the foods which might be loaded into the enclosure **20** could be reduced and be smaller than the capacity of the enclosure **20** itself.

When the spit assembly **170** is being loaded into the enclosure **20**, the assembly **170** first passes the rest position **168**, then the inclined track portion **204**, and next it comes to the low heat position **122** where its stub axles **186** can be engaged by gravity into a detent **168 122 202** and rotate. In the low heat position **122** the gear teeth **180** on the perimeter of the spit plate closest to the right side inner side wall **101** engage a motor driven drive gear **208** which penetrates into the enclosure through the right side inner side wall **101**. The spit assembly **170** and any spit accessories or food thereon, may be rotated by this motor driven drive gear **208** in front of the embodiment's rear heating element **110**, which is described later herein.

A quick and easy method of tying up loose parts of foods to be rotisserie cooked has been found using the spit support track **200**, timer **222** and control switch **224**. As an example wings and legs on chickens, ducks and turkeys can be easily secured using this method. First, the end of a length of string is secured to a wing, leg or other part of the fowl using a simple wrap or a slip knot as examples. In the alternative, the end of the string might be indirectly secured to the fowl by securing the string to the spit assembly **170**. This might be done while the fowl is supported on the spit assembly **170** in the spit support track **200** rest position **168** or while the fowl is outside the embodiment. Next, the spit assembly is moved back to either the low heat **122** or high heat **202** spit support track **200** position. The control switch **224** is then turned to the "no heat rotation" **252** position and the timer turned on. As the fowl rotates, the string automatically wraps around the fowl's loose parts thus securing them. Once secured, the timer is turned off, the string is cut, and its end tied or wrapped or otherwise secured to the fowl on a wing, leg or other part. In the alternative again, the cut end of the string might be indirectly secured to the fowl by securing the end to the spit assembly **170**.

The direction of spit assembly **170** rotation is important in producing satisfactory cooking results. The embodiment's heating element **110** is located half way up, and directly adjacent to, the back **26** wall of the enclosure **20**. The drive gear **208** rotates the spit assembly **170** so food rotate **175** from the top of the enclosure **20** down to directly in front of the heating element **110** and then down to the bottom of the enclosure where the food rotates **175** back to the top of the enclosure **20** while the food faces away from the heating element **110**. Reversing this rotation **175** has been found to result in smoke, small flare-ups and less tasty food.

The speed of spit assembly rotation has also been found to be important in producing rotisserie cooked foods with generally superior taste and texture. The preferred embodiment has a spit assembly **170** rotation speed of between 3.5 and 5 rpm. This is typically faster than most home rotisseries operate

The low heat position **122** may support large foods up to the capacity of the enclosure **20**. However, it may also support foods of any size including smaller sized foods. In some cases the low heat position **122** may be desirable to cook smaller foods slower as an example.

Rotisserie cooking in the preferred embodiment differs in several ways from conventional oven cooking. First, in conventional oven cooking the food remains stationary and is cooked by hot air. In the preferred embodiment, food is rotated about a horizontal axis and is cooked by a combi-

nation of both radiant energy coming directly from the heat coil **110** and air heated by the heat coil **110**. Radiant energy is generally more efficient than hot air in conveying cooking energy to food and thus typically gets foods hotter quicker.

However without food rotation, radiant energy tends to dry out and burn foods as is the case in most conventional oven broilers. Also, without food rotation, radiant energy tends to cook grease and oil into foods, and particularly into meats.

Rotisserie cooking in the preferred embodiment is generally quicker than conventional oven cooking. This is partly due to the efficiency of radiant energy heating and also due to food movement which helps break the air boundary layer around foods being cooked and thus speeds hot air heat transfer to foods in a similar manner to fan driven home convection bake ovens.

Cooking speed is also increased because foods are alternately super heated on their surfaces as they pass directly in front of the heating coil and then the heat is allowed to soak into the foods as they rotate away from the heating coil.

Natural expansion and contraction as foods heat and cool during rotation also helps speed the cooking process and lower cooking times.

Directly behind and above the low heat track position **122**, is the high heat track position **202**. Again, the stub axles **186** of the spit assembly **170** may be pushed back, raised and rested into this position. In this position the gear teeth **180** in the perimeter of the spit plate closest to the right side inner side wall **101** may engage the drive gear **208** and the spit assembly **170** may be thus power rotated. Smaller foods may be rotated closer to the heating element **110** in the high heat track position **202** which may greatly reduce such smaller foods' cooking times.

Inserting the spit assembly **170** into the preferred embodiment requires only resting it on the left and right spit support tracks **200 198** and lifting and pushing it back into the enclosure **20** to the desired use position **168 122 202**, be it the rest position **168**, the low heat position **122** or the high heat position **202**.

Removing the spit assembly **170** from the high heat track position **202**, the low heat track position **122**, or from the rest track position **168**, requires only lifting and pulling the spit assembly **170** toward the front of the enclosure **20**.

This easy insertion of the spit assembly **170** into, and simple removal of the spit assembly **170** from, the embodiment enclosure **20** is in marked contrast to most other rotisseries which typically require angling the spit rod assembly into its cooking position and carefully fitting one of the spit assembly's ends into a drive socket.

Use of the relatively large diameter spit plates **172 174** as the final reduction gear in the motor rotational speed reducing gear train driving the spit assembly **170** has several advantages when compared with typical rotisserie drives which use a gear box terminated by a drive socket directly coupled to the spit rod.

The spit plate's **172 174** large outer diameter gear **180** greatly reduces the play and backlash in the motor speed reduction gear drive train caused when off-center weighted foods are rotated. In this situation the motor pushes off-center foods uphill until the off-center weight swings over the top of center and then moves downhill constrained by the drag of the motor. The shift from the motor pulling the food uphill to the motor constraining the food's movement downhill causes a shock load on all the gears in the gear reduction train, and particularly on the final drive gears, as any free

movement, or play, between the gears in the gear train shifts with the full power of the off-center weighted foods behind it.

Typical final drive gears found in rotisserie drive trains are one-tenth or less of the diameter of the spit plate's outer gear teeth **180** and thus generally are far less durable, have far more play, and put far more load on both the spit and attached food, and on the rest of the reduction drive gear train itself. This in turn may result in shorter motor and gear life, food disengaging from and falling off of the spit rod, and unacceptable levels of noise and vibration.

The speed reduction between the drive gear **208** and the gear teeth **180** on the spit plate **172 174** is ten-to-one in the preferred embodiment but may be greater or less depending on the desired diameter of the spit plate and the coarseness needed in the gear teeth. In the preferred embodiment, such a high gear reduction outside of the gear transmission **210** attached to the gear reduced motor **212** means that fewer and less durable, which may translate to less expensive, gears may be used inside the gear transmission **210** attached to the gear reduced motor **212**.

And by eliminating the drive socket which is generally used to attach the spit assembly to the final drive gear of the motor speed reducing gear transmission, any play in the socket engagement with the spit assembly or any binding in inserting or removing the spit assembly into and from the drive socket are eliminated.

Both the first **172** and the second spit plates **174** each have eight evenly spaced kabob holes **182** penetrating their structure just inside their perimeter gear teeth **180**. These holes **182** are designed to hold the ends of self rotating kabob rods **184**. Each kabob hole **182** is essentially circular hole passing through the spit plate **172 174** with four evenly spaced semicircular lobes **214** carved into its perimeter.

Engaging these kabob holes **182** are self-rotating kabob rods **184**. Each kabob rod **184** has a pointed end **216**, and an end with a drive cam **218** and retaining spring **220**. The kabob rods **184** work by the spit assembly **170** first being put together with the spit rod holding tubes **192** on the second spit plate **174** being pushed over the pointed ends of the two spit rods **176 178** projecting from the first spit plate **172**.

Each kabob rod **184** to be used is then loaded with food by skewering the food onto the kabob rod **184** using its pointed end **216**. Any number of kabob rods **184** may be used at any one time, from one up to the spit assembly's **170** capacity of eight.

To insert a kabob rod **184** onto the spit assembly **170**, the pointed end **216** of the kabob rod **184** is inserted through a kabob hole **182** in the spit plate **172 174** which will be closest to the inner panel **103** of double paneled left wall **30**. Then the rod **184** is backed into an opposing hole **182** in the other spit plate **172 174** where the retaining spring **220**, as its widest **183** part passes through the kabob hole, snaps and retains the kabob rod **184** from side to side movement away from or toward either spit plate **172 174** similar to the way a clothing snap works. This insertion process is easy and intuitive and is repeated for each kabob rod **184** to be used.

Insertion of the kabob rods **184** onto the spit assembly **170** may be done while the spit assembly **170** is outside of the enclosure **20** or while it is placed in a track position inside the enclosure **20**, such, as an example, as being placed in the rest position **168**.

The spit assembly **170** with attached kabob rods **184** is then inserted into the low heat track position **122**, and the embodiment turned on by setting the cooking time on the timer **222** and turning the control switch **224** to the "Normal Heat Rotation" position.

As shown in FIG. **15**, each 360 degree rotation **175** of the spit assembly **170** causes each kabob rod **184** to be rotated **177** one-quarter turn by the kabob rod's **184** drive cam **218** being rotated by the spit plate **172 174** into the drive gear **208** which forces one of the kabob rod's cam **218** arms striking the drive gear **208** to move and consequently causes the one-quarter turn rotation of the kabob rod **184**.

The four lobes **214** in each of the spit plate **172 174** kabob holes **182** help stop each kabob rod **184** at even one-quarter turn intervals, and also help prevent a kabob rod **184** from rotating in its kabob hole **182** when it is not being driven by the drive gear **208** pushing on the kabob rod cam **218**.

This kabob rod **184** automatic rotation results in all sides of the kabob rod cooked food being cooked evenly, unlike in most rotisserie kabob cooking where one side of the kabob food gets cooked more than the opposite side.

The kabob rods **184** on the preferred embodiment are better than others commonly available for several reasons. First, they **184** may automatically rotate, as explained above, which cooks kabob foods more evenly on all sides than non-rotating rods.

Second, one, or up to the spit wheel's capacity of eight kabob rods, can be in use at any time. Some kabob rods require the entire transport wheel to be loaded with kabob rods in order to operate.

Third, the rods **184** can be inserted or removed while the rods **184** are inside the cooking cavity **104**. Many kabob rods require a lot of space to be inserted or removed from their transport wheel, and thus they could not be inserted and removed from inside a confined cooking space.

Next, the rods **184** are very efficient in space utilization and allow foods to be placed along most of the rod's **184** entire length. Along with this, the rod's **184** means of attaching to their transport wheels **172 174** is compact and therefor allows more room for cooking foods with less wasted space for attachment to the transport wheels **172 174**. Many kabob rods use a substantial portion of their length for coupling which limits their cooking space.

And the kabob rods **184** intuitively snap into place which makes them easy to use. This also generally removes the need for user instructions. Many kabob rods have complicated coupling mechanisms which are both difficult to use and require detailed user instructions.

The rods **184** offer the ability for each rod **184** to automatically rotate or remain stationary at the user's discretion and in any combination (i.e. 3 rotating and 2 remaining stationary all simultaneously) simply by the user facing the rod's cam **218** toward or away from the drive gear **208** side of the cooking cavity **104**. This feature is not found on other kabob rod designs.

And when the rods **184** are stationary, bacon, slabs of baby back ribs or other foods may be wrapped around and clipped to the rods in drum-like fashion for fast even cooking.

As most clearly shown in FIG. **8**, directly adjacent to, and approximately half way up the back **26** of the enclosure **20** of the preferred embodiment, is a serpentine shaped electric heat coil **110**. This coil **110** winds back and forth across the back **26** of the enclosure **20** creating four straight heat rods **226** terminated by three "U" turns **228** and two rods passing through the enclosure's right side interior wall. The coil is supported on its right and left ends by support brackets **230 232** which slide over the "U" turns **228** in the coil and position it to allow for expansion and contraction as the coil heats and cools, while maintaining the coil's correct position.

This heat coil **110**, unlike heating elements in conventional ovens which turn on and off under thermostatic control, may remain constantly on during cooking. This minimizes cooking times and simplifies embodiment construction when compared to rotisseries which cycle on and off while cooking. Alternatively the heat coil **110** may be thermostatically controlled and forgo these advantages.

Through the constantly on heat coil **110**, the embodiment is continuously heating air inside the enclosure **20**, and is constantly radiating cooking energy. By being constructed to have a heating element **110** which remains constantly on and thus having no thermostat, the preferred embodiment obviates the need for safety devices such as safety thermostats and thermal fuses designed to protect the device if a user set thermostat should fail. This further simplifies construction of the embodiment when compared to most conventional oven constructions.

Some rotisseries place their heating elements or sources of heat below the spit. This may create safety problems from grease fires and flare ups. When grease, oil and residue collected in drip receptacles below the spit become overheated from a heating source located below the spit, smoke and fires can result. When grease, oil or other residue drip or splash onto heating elements, other heat sources, or other hot surfaces, fire and smoke can also result. Heat sources located below the spit also tend to raise the overall height of the rotisserie which may be a problem when it is used in kitchens with cabinets located over their countertops.

Some enclosed rotisseries place their heating source above the spit assembly. These elements, due to their locations, and because both radiant and convection heat given off by the elements tends to rise, are generally less efficient than heat sources placed lower in the cooking enclosure **20**. This high position also tends to raise the overall height of the rotisserie which may be a problem when they are used in kitchens with cabinets located over their countertops. This problem is compounded by top mounted heating sources superheating the top of the cooking enclosure **20** which in turn may cause heat damage to over-counter cabinets. Such superheating may also create heat and fire safety hazards.

Both low and roof mounted heating elements, because they may have their heat sources located near the middle or front of the rotisserie, may create an increased potential for users burning their hands when inserting and removing foods from the rotisserie enclosure when compared to a back mounted heating element.

By the preferred embodiment placing its heating element in the back **26** of the enclosure **20**, risk is minimized that a user will burn themselves on the element **110** or element heated hot surfaces.

By the preferred embodiment placing its heating element mid way between the floor **22** and ceiling **24** of the embodiment enclosure **20**, problems of both low and high mounted heat sources are overcome. As an example, this mid way heating element **110** location helps minimize the overall height of the embodiment, and greatly reduces any chance of smoke and fires from the contents of the drip pan becoming overheated or from grease, oil or other residues splashing onto heat coil **110** or heat coil warmed hot surfaces.

When compared to roof mounted heat elements, this mid location also reduces the temperature of the roof **24** of the embodiment, thus reducing the risk of heat damage to over-counter cabinets and the risk of burning users on the roof **24**.

This mid location in the preferred embodiment is also generally more efficient in conveying cooking energy than heat coils mounted above the spit assembly **170**.

This mid location, when compared to heat elements located above or below the spit which generally are closer to the front of the enclosure, also tends to reduce the temperature on the outside of the front door **32**, including the front door **32** glass, which in turn reduces the risk a user will burn themselves on these surfaces.

The mid heat element **110** location in general, when compared to heat element locations above or below the spit assembly, reduces all temperatures on the forward exterior of the enclosure **20** where users are most likely to come in contact and potentially burn themselves. This in general reduces user safety hazards both directly from burning themselves on the enclosure **20** or from accidents, such as accidentally dropping hot food, after unintentional contact with such hot enclosure **20** surfaces.

Located directly behind the heating element **110**, and held in place by the left **230** and right **232** heater element support brackets, is a removable cleaning shield **234**. During rotisserie cooking, grease, oil and residue may be splattered off food as the food becomes heated in front of the heating element **110**. Thus the area behind and adjacent to the heating element **110** tends to get dirty. Heat from the heating element **110** bakes on the grease, oil and residue and makes cleanup difficult.

The cleaning shield **234** may be coated with a nonstick ceramic coating similar to that used in many of today's nonstick fry pans. This coating is medium gray in color and thus tends not to show when it is dirty.

However, when it becomes dirty, the cleaning shield **234** is easy to clean simply by gripping the shield **234** by its bent-over top edge **236** and pulling it up and forward **235** and out of the enclosure **20**. Once thus removed, the shield **234** may be washed in a sink or dishwasher. Reinserting the cleaning shield **234** is accomplished by reversing the removal process.

By being behind and adjacent to the heating element **110**, the cleaning shield **234** receives radiant heat from the element **110**. When compared to a shiny surface cleaning shield placed behind the heating element **110**, the medium gray ceramic coating on the cleaning shield **234** has been found to cook foods as fast or even faster than their shiny counterparts.

Although definitive tests have not been performed to prove the theory, it appears there are two reasons for this unexpected cooking efficiency. First, the medium gray ceramic nonstick coated cleaning shield **234** gets hotter than a similar shiny cleaning shield. This in turn raises the interior air temperature of the enclosure **20** which in turn reduces cooking times.

Second, radiant energy striking the medium gray ceramic nonstick coated cleaning shield is reradiated at a lower infrared frequency than radiant energy striking a shiny cleaning shield. This lower frequency tends to absorb quicker and deeper into foods which in turn results in shorter cooking times.

These same cook time reducing features can be found with other cleaning shield coatings. As an example, self-cleaning oven interior coatings similar to those found in the DeLonge Alfredo Toaster Oven which today is widely available in U.S. department stores such as Robinson-May and Macy's, show similar advantages and require even less cleanup than nonstick ceramic coatings.

The nonstick ceramic coating on the cleaning shield **234**, by not readily showing when it is dirty, reduces the amount of cleaning that the cleaning shield **234** requires. This same coating, when compared to other surfaces, makes cleaning the shield much easier. Cleaning ease is also greatly

enhanced by the cleaning shield **234** being easy to remove from and reinsert into the enclosure **20**.

As mentioned earlier, the heating element **110** in the preferred embodiment remains constantly on during rotisserie cooking which creates hot air which must be safely vented from the enclosure's **20** interior.

Directly behind the heat shield **234**, on the curved center wall section **34** connecting the back **26** of the enclosure **20** to the roof **24** of the enclosure **20**, are upward facing vents **238**. These vents **238** allow air heated by the constantly operating heating element to escape the enclosure's **20** interior. These louvered vents **238** are indented inward with their openings at the top of the indent.

This arrangement of upward facing louvers **238** reduces potential heat damage to overhead cabinets when compared to more conventional indented louvers with their openings at the bottom of the indent. This is because hot air must first rise above the louver **238** and then exit by dropping down into the louver **238** opening rather than simply rising directly through the louver opening.

Forcing the hot air to first rise and then drop, reduces its velocity and creates turbulence which breaks up potentially damaging concentrated streams of fast moving exiting hot air.

Placing the vents **238** on the curved wall section **34** connecting the back **26** of the enclosure **20** with the enclosure's roof **24**, when compared to placing the vents on the back **26** or the roof **24** of the enclosure **20**, helps hot air exit away from backing walls the embodiment might be placed against, or exit away from overhead cabinets the embodiment might be placed under. Exiting hot air also tends to follow along the curved wall section **34** breaking away slowly and this further disperses hot air concentration.

There are gaps **240 242 244 246** between the glass door **32** and the frame **116** it rests against on all four sides of the door **32**. The gaps on the lower side of the glass door **32** generally allow cool air to enter the enclosure's **20** interior, and the gaps around the upper section of the glass door **32** generally allow hot air to exit from inside the enclosure **20**. This air movement helps control interior enclosure **20** temperatures which might otherwise rise to unacceptable levels due to the heat element **110** remaining constantly on during rotisserie cooking.

The gaps **240 242** between the door frame **116** and the glass door **32** are exceptionally wide on both the left **242** and right **240** sides of the glass door **32**. Hot air exiting out these left **242** and right **240** side gaps is dispersed and broken up by these exceptionally wide gaps **240 242** being inclined with the glass door **32** which help form the side gaps **240 242**. Such dispersion and breakup of the hot air rising from the inclined side gaps **240 242** helps prevent heat damage to overhead cabinets which the embodiment might be placed under.

The interior temperature of the enclosure **20** is controlled by the venting already described both on the curved wall **34** connecting the back **26** wall of the enclosure **20** with the roof **24** of the enclosure **20** and the venting from the gaps **240 242 244 246** surrounding the door. An equilibrium is reached involving the cooking energy supplied by heating element **110**, a cooling affect from the cooler temperature of the food being cooked, the amount of venting, and the ambient air temperature of the room in which the embodiment is operating. In the final stages of food cooking the preferred embodiment is engineered to produce an air temperature measured near the center of the enclosure's **20** interior of around 250 to 375 degrees Fahrenheit. Such a temperature, when compared to both warmer and cooler cooking tem-

peratures, has been found to produce exceptionally satisfactory results in rotisserie cooked food taste and texture.

An alternate form of controlling cooking temperatures is shown in FIGS. **7** and **8**. Here the shaft of the gear reduced motor **212** is extended through the case of the gear transmission **210** and a radial fan **258** is attached to the end of the motor's shaft. This fan **258** pulls through it both cool air **260** from outside of the enclosure **20** as well as hot air **262** from inside the enclosure **20**. The cool air **260** and hot air **262** are mixed and the combined warm air move into the space between the interior wall **101** and outside wall **99** of the double paneled right side wall **28**. A long scoop shaped vent **264** adjacent to the right side of the glass door **32** directs warm air out **266** over the exterior of the glass door when the embodiment is on and cooking with the glass door **32** closed. This directed warm air **266** cools the exterior of the glass door to help lower its temperature and thus the chances of a user getting burned by touching its surface.

Other vents **268** at the top of the double paneled right side wall **28** direct **280** the warm air moved by the fan **258** out **280** over the metal roof **24** of the enclosure **20** thus cooling the roof **24** and lowering its temperature to reduce the risks of burns from users accidentally touching the roof **24** when it is hot. Air from these vents **268** is blocked when the warming/steaming tray unit **144** is placed on top **24** of the enclosure **20** thus increasing the heat on the metal roof **24** and allowing the warming/steaming tray unit **144** to function in its normal way. Other vents may be placed in other locations around the double paneled right side wall **28**, such as example adjacent to the curved metal section **34** or back **26** of the enclosure, to help vent the interior of the enclosure **20** and reduce the chances of accidental burns from a user touching that section **34 26** by mistake.

The enclosure **20** is generally symmetrical side to side when viewed from the front. However there are a few exceptions to this. First, there is a control/motor housing **248** mounted to the outside panel **99** of the double paneled right side wall **28**. The control/motor housing **248** has a power cord **250** extending out its back and contains within it: a three hour mechanical timer **222**, a control switch **224**, and a gear reduced **210** motor **212** which powers the drive gear **208**, referred to earlier, projecting through the interior panel **101** of the double paneled right side wall **28**. The heat element **110**, as described earlier, also projects from the interior panel **101** of the double paneled right side wall **28** and is supported by brackets **230 232** attached to both the right interior side wall **101** and the left interior side wall **103**. There too is a light **98** and light reflector **106** mounted between the interior **101** and exterior **99** panels of the double paneled right side wall **28** which lights the interior of the enclosure **20** through a translucent glass cover **100** disposed on the interior wall **101** of the double paneled right side wall **28**. This light **98** has a red lens **112** which extends from the light **98** through the light reflector **106** and exterior right panel **99** to the outside of the double paneled right side wall **28**.

The control/motor housing **248**, as just described, is attached to the outer panel **99** of the double paneled right side wall **28**. Instead of mounting the controls **222 224** on the front face of the embodiment as most conventional ovens do, the preferred embodiment mounts its controls **222 224** more than one-third the way back on its right side. It also mounts the control/motor housing **248** above the bottom of the embodiment, so that more than one-eighth of the outer panel of the double paneled right side wall **28** is left exposed under the control/motor cover **248** to allow items on the countertop

42 on which the embodiment might rest to move and reside under the control/motor housing 248.

Placing the controls 222 224 in a separate housing 248 and placing the housing 248 more than a third of the way back on the side and more than an eighth of the way up the side of the cooking enclosure 20 has been found to maximize valuable useable counter space while simultaneously not significantly impairing the accessibility, usability, or required visibility of the controls.

Adding to this accessibility, usability and required visibility of the controls 222 224, the surface on which they are displayed is inclined, and inclined both in plan and side views. Such double inclination, by facing the controls 222 224 toward the user whose eyes and hands are generally disposed above and to the right side of the enclosure 20, helps in both the viewing and the use of the controls 222 224.

Two devices control the embodiment's operation. The first is a mechanical three hour count down timer 222. This windup timer 222 allows the embodiment to operate for up to three hours without having to reset the timer 222. An electronic digital can be substituted to perform the same function. Three hours is appropriate because a fifteen pound turkey takes about 12 minutes per pound to cook or about three hours in total. Thus three hours may accommodate such a large item without having excess time which might result in timer inaccuracies and loss of safety advantages. As an example, a four hour mechanical timer might have its time markings closer together on its dial and might have a mechanism which is inherently less accurate than a three hour timer. Both of these conditions would reduce the timing accuracy for the user. And safety might be reduced if the user could leave the embodiment for four, five, or six hours, instead of only three hours maximum.

The second control device is a control switch 224 which regulates the functions of the heat element 110, the gear reduced motor 212, and the light 98. The control switch 224 is only functional when the timer 222 is set and running with time on it. As shown in FIG. 5, the control switch 224 has three positions 252 254 256. Starting from the left, the first position 252 called "No Heat Rotation" turns on the gear reduced motor 212, causing the spit assembly 170, if installed, to rotate, and turns off both the light 98 and the heat element 110. The light 98 being off, along with no light shining through the red lens 112, indicates to the user that the heating element 110 is off and is not receiving electricity. This first switch position 252 is generally used after foods have been rotisserie cooked to cool the foods down while continuing the rotational flow of juices in and around the foods. It 252 keeps foods moist while not allowing grease, oil and/or other liquids to settle into the foods. It 252 may be used with the glass door 32 open 132 134 87 or closed 85 depending on whether it's desirable to cool the foods to serving temperature rapidly or slowly. If the first switch position 252 is used with an electronic timer, the heat element 110 might be run at lower wattage or cycled on and off during this cooling down period to keep the foods warm for a prolonged period of time.

The second control switch position 254, titled "Normal Rotation", is used for rotisserie cooking. In this control switch position 254 the gear reduced motor 212, the heat element 110, and the light 98 all remain on. The light 98 being on, along with light shining through the red lens 112, indicates to the user that the heating element 110 is on and receiving electricity. In the second control switch position 254, foods are rotisserie cooked for the amount of time set on the timer 222.

The third control switch position 256, titled "Pause to Sear", is used to brown or sear the surfaces of foods. In this control switch position 256, the gear reduced motor 212 is turned off, thus stopping the spit assembly 170 from rotating, but the heat element 110, and the light 98 remain on. Using this switch position 256 involves rotating the food using either of the other two control switch positions 252 254 until the side of the food to be browned or seared faces the heating element 110, and then turning the control switch 224 to the "Pause to Sear" position 256. The food will brown or sear in this position 256 until the time set on the timer 222 expires.

Circuits to perform the functions described herein are well known to one knowledgeable in the art and thus are not described in this document.

Besides the countdown timer and control switch, the gear reduced motor is enclosed in the control/motor housing. Although many types of motors and gear transmissions might be suitable, a half inch stack shaded pole motor with spur and helical reduction has been found to produce particularly satisfactory results in the larger size embodiment whose dimensions have been described earlier.

The smaller embodiment, whose dimensions were described earlier, might use a less powerful, and therefore less expensive motor, such as a gear reduced synchronous motor. Synchronous motors have an advantage in generally producing less noise than generally larger shaded pole motors and other motors commonly used in rotisseries. Use of the spit plate as an extra large and durable final drive gear allows use of synchronous motors which usually have less durable transmissions than those used on the more expensive shaded pole motors.

Several accessories can fit on the spit assembly. As an example as shown in FIGS. 16 and 17, a metal wire basket 270 might be fitted. This wire basket 270 might have a metal wire framework covered with a nonstick coating to prevent foods from sticking to the basket.

The lid 272 of the basket 270 is fitted with a fixed wire tab 274 on one side and a finger retractable wire tab 276 on the opposite side. Each tab fits into one of several slots 278 280 defined by wires on each side of the dished out lower part 282 of the basket 270. Thus the lid 272 may be adjusted to clamp onto and hold during rotisserie cooking several different thicknesses of foods.

There is a certain degree of springiness in the lid 272 and the lower part 282 of the basket 270, and this springiness allows the food 284 being held in the basket 270 to be clamped under pressure between the lid 272 and the lower part 282 of the basket 270 so that the food 284 is prevented from shifting while cooking. The same springiness allows different thicknesses of food to be held securely at the same time. Helping this ability to accommodate different thickness food simultaneously, the fixed tab 274 and the finger retractable tab 276 may each be inserted at different heights above the floor 286 of the dished out lower part 282 of the basket 270.

Securing food in the basket 270 is a simple process. The food 284 is first placed on the floor 286 of the dished out lower part 282 of the basket 270. The fixed wire tab 274 on the lid 272 is slid into 283 one of the slots 278 on the side of the dished out lower part 282 of the basket 270. The slot 278 chosen, and hence the height of the lid 272 above the floor 286 adjacent to the fixed wire tab 274, should be slightly lower than the height of the food 284 directly adjacent to the slot 278.

The finger retractable wire tab 276 is then retracted 288 by squeezing on the movable 290 and fixed 292 handles of the

finger retractable wire tab 276. The finger retractable wire tab 276 side of the lid 272 is then lowered 294 to clamp the food and the retractable wire tab 288 inserted into one of the slots 280 on the side of the dished out lower part 282 of the basket 270 by releasing finger pressure on the movable 290 and fixed 292 handles of the finger retractable wire tab 276.

Attaching the basket to the spit assembly 170 is done by simply inserting the two spit rods 176 178 through four integral semicircular loops 296 which are part of the dished out lower part 282 of the basket 270, and then placing the second spit plate 174 over the ends of the spit rods 176 178 and inserting the spit assembly 170 with the basket 270 in the normal manner into the cooking cavity 104.

The basket 270 is centered on the spit assembly 170 and fits between the two spit rods 176 178. This is different than most spit baskets which either have a spit rod running through their center or are placed off center to the spit assembly rotation axis. Those baskets with a spit rod through their center limit their capacity to cook large flat foods such as steaks and fish. Those baskets which are placed off center to the spit rotation axis cook one side of the foods they contain more thoroughly than the other. By contrast, compared to these alternative designs, the basket of the preferred embodiment cooks food more evenly on both sides and has the ability to hold foods up to the full size of the basket. In the real world, both of these are major advantages in rotisserie cooking.

The fixed 274 and finger retractable tab 276 lid 272 attachment design of the preferred embodiment also has major advantages over other lid latching designs. As an example, many designs adjust to only one thickness of food. The preferred embodiment, through use of two tabs 274 276 which fit into separate slots 278 280 which individually adjust their heights, not only allows adjustment to different thickness foods, but allows several different thickness foods to be held in the basket 270 simultaneously.

Likewise, in contrast to lid attachment designs which are rigid, the preferred embodiment is springy which allows it not only adjust to different thickness foods being simultaneously held, but allows it also to put clamping pressure on the foods, even foods of different thicknesses, being held in the basket so they won't shift during rotisserie cooking. Shifting foods tend to get damaged and to fall out of the basket. Rigid basket designs generally don't provide this spring loaded clamping pressure.

The finger latching mechanism used on the preferred embodiment is also superior in simplicity and ease of use compared to other basket designs. As an example, the basket on the preferred embodiment may be secured closed with food in it using only one hand. Many other designs require two hands to close and latch.

Such baskets may be made in several different sizes. FIGS. 16 and 17 illustrate a relatively flat basket, perhaps as an example, one to one-and-a-half inches thick, which would be inserted with the spit assembly 170 in the low heat position 122 and hold such foods as steaks, fish and small vegetables. This basket's 270 perimeter is determined by the maximum size which will fit between the first 172 and second 174 spit plates and clear: the heat rods 110, the glass door 32, the cooking cavity ceiling 142, and grate cover 162.

A thicker basket, perhaps twice as thick as the previous basket 270 but otherwise similar in shape and dimensions to the previous basket, might be made to hold lobster tails, potatoes, and other larger vegetables and foods, as well as hold all the kinds of foods the previous basket 270 might hold.

Such a thick basket might also be made which would only extend out to the perimeters of the first 172 and second 174 spit plates. Such a basket might be used when it is mounted to the spit assembly 170 and the spit assembly 170 is supported in the high heat position 202, closer to the heat coil 110 where the reduced size would now allow the basket to clear. It would hold all the same foods the previous two described baskets could, but in smaller amounts. In return for these smaller amounts due to its restricted size, this basket would cook foods faster when it was placed in the high heat position 202. This basket could also be used in the low heat position 122 if slower cooking speeds were desirable.

A thinner version of this high heat basket might also be made for use where food thickness was not a factor.

As illustrated in FIG. 13, another accessory which might be included with the preferred embodiment is the rotary cooking container 298 which stir fries and rotary cooks foods such as meats, vegetables, popcorn, shrimp, seafoods, etc.

This container can also be used with or without rotation but without heat inside the embodiment to marinate meats and vegetables by simply putting the meats or vegetables into the container 298 along with a marinade or rub and leaving the timer 222 in the off position or turning on the timer and placing the switch into the "No Heat Rotation" position. The rotary movement, if used, helps the marinade penetrate all sides of the meats or vegetables or helps the rubs coat all sides of the meats or vegetables with little or no intervention on the part of the user.

This accessory comprises a spit assembly 170 mounted cylindrical tubular housing 300 with at least one opening on one end, such opening 302 which may be covered by a lid or door when cooking. Several agitation blades 304 project from the interior surfaces of the cylindrical housing 300, and help move and direct food inside the housing 300 while the housing 300 is being rotated.

As shown in FIG. 13, in use, the cylindrical housing 300 is mounted onto the spit rods 176 178 through holes in the housing's ends 306 308.

A shape other than cylindrical may be used for the tubular housing 300 of the rotary cooking container 298. As examples, the tubular housing might be squarcle (cross between a square and a circle like an old television screen), square, pentagonal, hexagonal, irregular, or other shape in cross section.

To use this accessory 298, the user mounts the tubular housing 300 onto the spit rods 176 178, puts food and possibly cooking oil, spices, etc. inside the housing 300 through the hole 302 or holes 302 in the ends 306 308 of the housing 300, caps the housing 300 if a cap or door is to be used, and places the spit assembly 170, including the rotary cooking container 298 with its food contents, into the low 122 or high heat 202 spit mounting positions inside the enclosure 20.

The cooking process which follows this is like normal rotisserie cooking, except foods can be tumbled as they cook inside the container, and if cooking oil is present, a form of stir frying may be performed.

The rotary cooking container 298 may be fabricated from stamped, rolled or cast metal, or from glass or from other appropriate materials well known in the art.

An alternative rotary cooking container 299 is shown in FIG. 13A. This container 299 requires no spit assembly 170 to operate, but instead incorporates integral stub axles 301 303 and an attached spit plate 305 with gear teeth 307 to support and rotate the container 299 inside the cooking

cavity **104**. Agitators **309** inside the container **299** help move and tumble the food during cooking, application of rubs, marination.

A liquid tight door **311** covers an opening **313** in the side of the container **299** through which the container **299** may be loaded and unloaded. Steam and expanding and contracting gasses are vented through a small vent hole **315** located adjacent to one of the integral stub axles **303**.

This alternative rotary container **299** has large useable capacity because there are no spit rods running through its center. It also may be very easy to load and unload due to the large opening **313** in its side. It also has the added advantage that no assembly is required, the container is complete and does not require a spit assembly **170** to be placed through its center to operate. And this container **299** may be used for all the same function of the rotary cooking container shown in FIG. **13**.

Either the rotary cooking container shown in FIG. **13** or the one shown in FIG. **13A** add a convenient cooking feature of automatically agitating foods without user intervention. When cooking, this means that foods tend not to burn and may be cooked with little or no oil or fats. Either rotary cooking container may be nonstick coated on their interiors to help facilitate not using fats and oils during cooking. Such coatings are well known in the art and thus are not described in detail herein.

Inserting and removing foods into and from the cooking cavity **104** of the preferred embodiment is typically an easy process. However, the preferred embodiment includes a pair of gloves **310** shown in FIG. **19** to simplify the process. These gloves **310** are different than normal kitchen gloves however. Their **310** outer surfaces **312** are coated with a flexible, water and grease tight material, like plastic or rubber, similar to a set of dishwashing gloves. This water and grease tight material covers an insulating layer of cotton fabric less than $\frac{1}{16}$ of an inch thick which helps prevent hot foods from burning the user. The gloves **310** extend over the wrists and cover part of the user's lower arm.

A user may lift foods, such as chickens, turkeys, steaks, ribs or vegetables, which are either mounted or not mounted on the spit assembly, both into or out of the preferred embodiment's cooking cavity **104**, when the food is either hot or cold, using the gloves **310**.

The gloves **310** prevent the user's hands from getting dirty or greasy and help protect the user from getting burned when handling hot foods.

The gloves **310** also simplify handling cooked and uncooked foods in general, and make easier the mounting and releasing foods to and from the spit assembly by removing concerns the user might have of getting dirty and greasy, and getting burned when directly using his or her hands to help perform these tasks. The gloves **310** can also help protect the user from cuts which he might get using knives or other kitchen utensils, or from the spit rods **176** **178** and other rotisseries parts and accessories.

The gloves **310** are washable simply by placing them under running water and possibly using a little soap or detergent to help remove grease.

The gloves **310** are formed as normal four finger one thumb gloves, however they may also be formed as mitts with only one separation between thumb and finger enclosure areas, or they may have separations for every two or three fingers etc.

Unlike the gloves **310** that come with the preferred embodiment, conventional cooking gloves and mitts can not

protect a user from hot grease, liquids and oils when directly handling rotisserie cooked foods, nor can such gloves and mitts be easily cleaned.

Also, unlike the gloves **310** that come with the preferred embodiment, conventional cooking gloves and mitts generally do not extend over the user's wrists and lower arms and thus do not provide protection against burns in these areas which approach hot cooking cavity walls while the user is reaching into the rotisserie cooking cavity to mount or unmount the spit assembly and for other reasons.

What has been described herein is merely a preferred embodiment of the present inventions. It is not intended to show all possible applications for the inventions nor should it to be deemed as limiting the scope of protection afforded to the present inventions. Such scope is defined by the claims appended hereto and their legally interpreted protection. Many variations may be made which exhibit the present inventions but do not literally duplicate all or parts of the embodiments described herein.

As examples: scale and proportions may be changed to provide increase capacity or more efficient use of available space; materials may be changed such as use of cast or stamped metals, or use of glass or thermoset or thermoform plastics to form the enclosure **20** or parts therein such as the spit plates **172** **174** and drip pan **120** or other parts; other types of motors might be used such as PM dc motors, universal motors, inductance motors, synchronous motors, etc.; pots, pans, fry pans etc. might be used for heating foods on top **24** of the enclosure **20** either to augment the warming/steaming tray unit **144** or in place of it; curved glass might be substituted for the single flat panel of glass **64** used in the inclined door **32**; the control/motor housing **248** might be round, square or other shape in side view; the light **98** might be placed in other parts of the enclosure such as in the forward upper corner; electronics and possibly remote controlled electronics might be used to control the oven; bigger or smaller diameter spit plates **172** **174** might be used to give more kabob locations and better mechanical drive advantages or make handling of the spit assembly **170** easier; other types of handles **90** might be used on the door **32** such as a more conventional center handle or handles extending from the sides of the door **32**, or a handle going the full width of the top of the door; materials other than glass might be used for the door **32** such as plastic or metal.

Such changes are in the spirit of the present inventions which are limited by the claims herein and their legal interpretations.

What is claimed is:

1. A spit assembly support base in combination with a spit assembly, the spit assembly support base comprising
 - a substantially circular-shaped member having a periphery and an indented portion defined therein, wherein the indented portion has a frustum-conical shape and extends downwardly into the substantially circular-shaped member, and wherein the substantially circular-shaped member has an opening for receiving the stub axle of a spit assembly defined therein,
 - the spit assembly comprising
 - a first plate-shaped member having an inner side, a peripheral boundary, and an interior area wherein the interior area and the peripheral boundary are positioned in two different planes;
 - a second plate-shaped member having an inner side, a peripheral boundary, and an interior area wherein the interior area and the peripheral boundary are positioned in two different planes;

27

a first spit rod having a first end coupled to the inner side of the first plate-shaped member and having a second end coupled to the inner side of the second plate-shaped member; and
 a second spit rod having a first end coupled to the inner side of the first plate-shaped member and having a second end coupled to the inner side of the second plate-shaped member.

2. A vertically supported spit assembly comprising:
 a spit assembly support base including a substantially circular-shaped member; and
 a spit assembly, wherein the spit assembly comprises,
 a first plate-shaped member having an inner and an outer side, a peripheral boundary, and an interior area wherein the interior area and the peripheral boundary are positioned in two different planes;
 a second plate-shaped member having an inner and an outer side, a peripheral boundary, and an interior area wherein the interior area and the peripheral boundary are positioned in two different planes;
 a first spit rod having a first end coupled to the inner side of the first plate-shaped member and having a second end coupled to the inner side of the second plate-shaped member; and
 a second spit rod having a first end coupled to the inner side of the first plate-shaped member and having a second end coupled to the inner side of the second plate-shaped member; and
 wherein the outer side of the first plate-shaped is supported by the substantially circular-shaped member.

3. The vertically supported spit assembly of claim 2 wherein the substantially circular-shaped member has an opening defined therein, wherein the first plate-shaped member has a projection extending from the outer side thereof, and wherein the projection is received in the opening.

4. The vertically supported spit assembly of claim 3 wherein the substantially circular-shaped member has a periphery and an indented portion defined therein, wherein

28

the indented portion has a frustum-conical shape and extends downwardly into the substantially circular-shaped member.

5. The vertically supported spit assembly of claim 4 wherein the periphery, the indented portion and the opening are concentric with one another.

6. A method of supporting a spit assembly, the method comprising the steps of:
 providing a spit assembly support base;
 providing a rotisserie oven that includes a removable spit assembly; wherein the spit assembly comprises
 a first plate-shaped member having an inner and an outer side;
 a second plate-shaped member having an inner and an outer side;
 a first spit rod having a first end coupled to the inner side of the first plate-shaped member and having a second end coupled to the inner side of the second plate-shaped member; and
 a second spit rod having a first end coupled to the inner side of the first plate-shaped member and having a second end coupled to the inner side of the second plate-shaped member;
 placing the spit assembly support base on a surface outside of the rotisserie oven;
 removing the spit assembly from the rotisserie oven and resting the outer side of either the first plate-shaped member or the second plate-shaped member on the spit assembly support base such that the first and second spit rods extend in a substantially vertical direction.

7. The method of claim 6 wherein the spit assembly support base has an opening defined therein, wherein the first plate-shaped member has a projection extending from the outer side thereof, and wherein the method further comprises the step of placing the projection into the opening.

* * * * *